

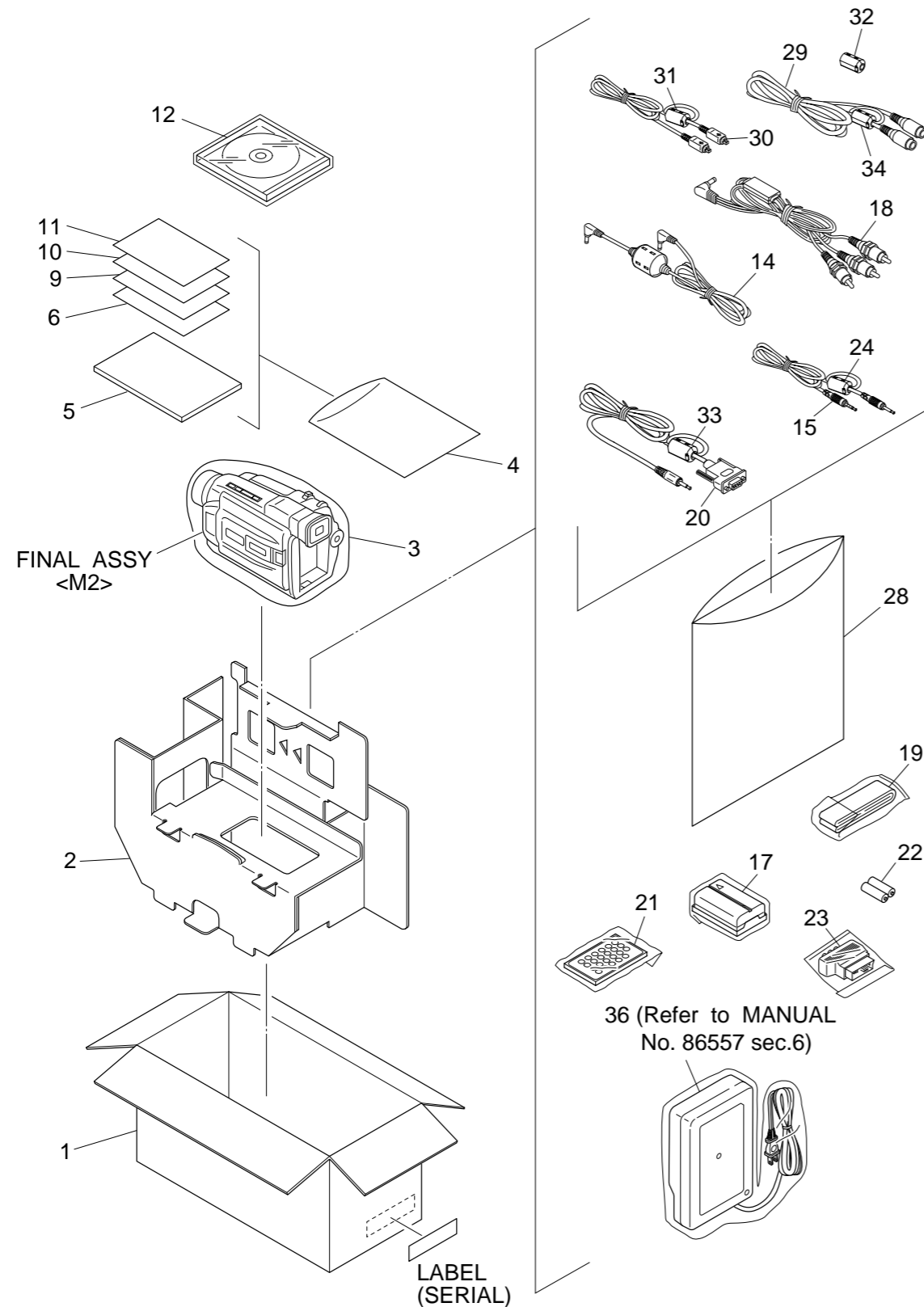
SECTION 5 PARTS LIST

SAFETY PRECAUTION

Parts identified by the \triangle symbol are critical for safety. Replace only with specified part numbers.

5.1 PACKING AND ACCESSORY ASSEMBLY <M1>

The instruction manual to be provided with this product will differ according to the destination.



\triangle REF No. PART No. PART NAME, DESCRIPTION

PACKING AND ACCESSORY ASSEMBLY <M1>

1	LY31752-011A	PACKING CASE,E
	LY31752-012A	PACKING CASE,A
	LY31752-013A	PACKING CASE,F
	LY31752-014A	PACKING CASE,B
	LY31752-015A	PACKING CASE,G
	LY31752-016A	PACKING CASE,C
	LY31752-017A	PACKING CASE,D
2	LY31735-001B	CUSHION
3	LY30023-008A	POLY BAG
4	QPA02003006	POLY BAG,A,C,E,G
	YQM30061-3	POLY BAG,B,D,F
\triangle 5	LYT0641-002A	IB(GE),A,C,E,G
\triangle	LYT0641-003A	IB(FR),A,C,E,G
\triangle	LYT0641-004A	IB(DU),A,C,E,G
\triangle	LYT0641-005A	IB(SP),A,C,E,G
\triangle	LYT0641-006A	IB(IT),A,C,E,G
\triangle	LYT0641-007A	IB(DA),A,C,E,G
\triangle	LYT0641-008A	IB(FI),A,C,E,G
\triangle	LYT0641-009A	IB(SW),A,C,E,G
\triangle	LYT0641-010A	IB(NO),A,C,E,G
\triangle	LYT0641-011A	IB(RU),A,C,E,G
\triangle	LYT0641-012A	IB(CZ),A,C,E,G
\triangle	LYT0641-013A	IB(PO),A,C,E,G
\triangle	LYT0641-014A	IB(HU),A,C,E,G
\triangle	LYT0644-001A	IB(EN)
\triangle 6	LYT0581-001A	IB(SOFT.SETUP),A,C,E,G
\triangle	LYT0582-001A	IB(SOFT.SETUP),B,D,F
9	LYT0194-001A	Q.CARD(JUK),B,D,F
10	BT-54008-2	GUARANTY CARD,B,D,F
	BT-54013-1	WARRANTY CARD,A,C,E,G
11	LYT0162-021B	ACC.LEAFLET
12	LY31074-012A	CD ROM
14	QAM0170-001	DC CORD
15	QAM0214-001	RM(EDITING)CABLE
\triangle 17	LY31587-001A	BATTERY PACK,BN-V408U
18	QAM0212-001	CABLE ASSY,AUDIO/VIDEO CABLE
19	LY20186-001A	SHOULDER STRAP
20	QAM0084-001	PC CONNECTION CABLE
21	LY20543-002A	REMOTE CONTROL UNIT,RM-V716U
22	-	BATTERY,AAA(03),X2
23	PEMC1000-01-02	CONNECTOR,CABLE ADAPTER
24	QQR0491-002	CORE FILTER
28	QPGA017-03005	POLY BAG
29	QAM0004-003	S CABLE,S-VIDEO CABLE,B,D,F
30	QAM0100-002	DV CABLE,C,D,G
31	QQR0918-002	CORE FILTER,C,D,G
32	QQR0491-002	CORE FILTER
33	QQR0491-002	CORE FILTER
34	QQR0491-002	CORE FILTER,B,D,F
\triangle 36	LY20591-003B	AC POWER ADAPTER/CHARGER,AA-V40EG,A,C,E,G
\triangle	LY20591-004B	AC POWER ADAPTER/CHARGER,AA-V40EK,B,D,F

MODEL	MARK
GR-DVL108EG	A
GR-DVL108EK	B
GR-DVL109EG	C
GR-DVL109EK	D
GR-DVL308EG	E
GR-DVL308EK	F
GR-DVL309EG	G

• INSTRUCTIONS

EN ENGLISH
 GE GERMANY
 FR FRENCH
 DU DUTCH
 SP SPANISH
 IT ITALIAN
 DA DANISH
 FI FINNISH
 SW SWEDISH
 NO NORWEGIAN
 RU RUSSIAN
 CZ CZECH
 PO POLISH
 HU HUNGARIAN

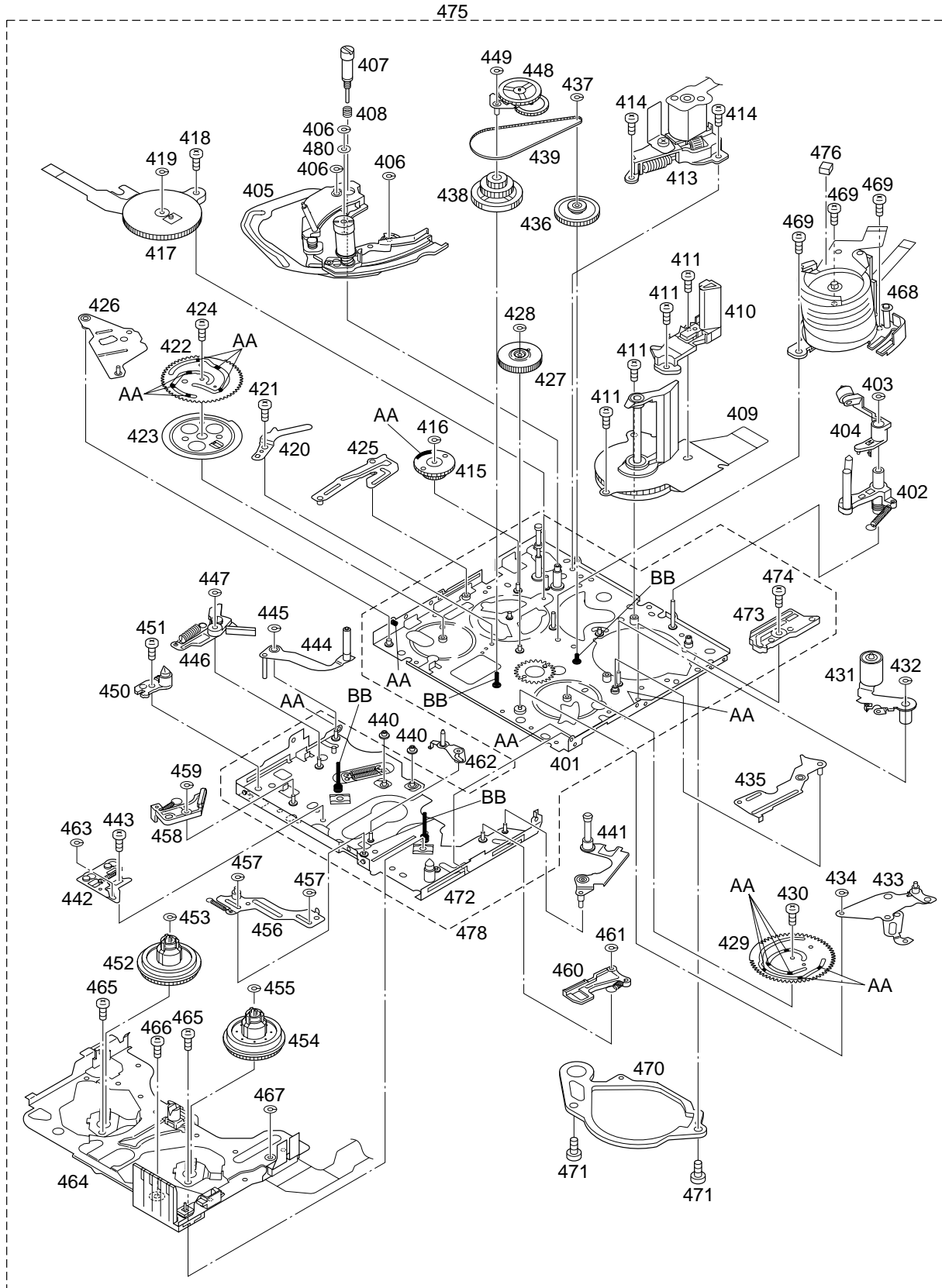
#	△	REF No.	PART No.	PART NAME, DESCRIPTION	#	△	REF No.	PART No.	PART NAME, DESCRIPTION

FINAL ASSEMBLY <M2>									
△		101	LY20560-003C	LOWER CASE ASSY,A,B,E,F			128	LY40698-002A	LABEL(HOUSING)
△			LY20560-004B	LOWER CASE ASSY,C,D,G			129	LY40699-002A	LABEL(PUSH)
		101A	LY31607-001A	JACK COVER			130	LY30018-079A	SPECIAL SCREW,X2
		101B	LY42391-001A	SHEET(MIC)2			131	LY30018-079A	SPECIAL SCREW
		101C	LY40592-001A	CAP(GRIP BELT)			132	LY30018-050A	SPECIAL SCREW,X2
		101D	LY30029-052A	SPACER(A)			133	LY30018-079A	SPECIAL SCREW
		102	LY20575-001B	GRIP BELT			134	LY30018-079A	SPECIAL SCREW,X2
		103	LY30018-003A	SPECIAL SCREW			135	LY30018-079A	SPECIAL SCREW
		104	LY31609-003C	CASS.COVER ASSY			136	LY30018-084A	SPECIAL SCREW
		104A	LY31610-001A	KNOB(EJECT)			137	LY30018-023A	SPECIAL SCREW,X2
		104B	LY31611-001A	COVER(C.C)			138	LY30018-084A	SPECIAL SCREW,X2
		104C	LY42173-001B	BKT(E.KNOB)			139	QYSPSPT1725R	SCREW
		104D	LY42174-001A	LOCK ASSY			140	LY30018-066A	SPECIAL SCREW
		104D1	LY30002-038A	COMPRES. SPRING			141	LY30018-084A	SPECIAL SCREW
		104E	LY30018-084A	SPECIAL SCREW			142	LY30018-079A	SPECIAL SCREW
		104F	LY30018-023A	SPECIAL SCREW,X6			143	QYSPSGT1760R	SCREW
		105	LY42177-001B	SHEET(M.ADJ)			144	LY30018-044A	SPECIAL SCREW
		106	LY20542-001A	ZOOM UNIT			145	LY30018-059A	SPECIAL SCREW
		107	LY30018-084A	SPECIAL SCREW,X3			146	LY30018-052A	SPECIAL SCREW,X2
		108	LY31596-003B	REAR COVER ASSY			147	LY30018-037A	SPECIAL SCREW
		108A	LY42161-001A	SHEET(REAR)			148	LY42182-002A	CAP(HOOD)ASSY
		108B	LY31595-001A	KNOB(RELEASE)			148A	LY31627-001A	SPRING
		108C	LY30001-018A	TENSION SPRING			149	LY42168-002A	KNOB(SLIDE)
		109	LY41691-001A	COVER(JIG)			150	LY31618-001C	HOLDER(MECHA)ASSY
		110	LY30018-084A	SPECIAL SCREW,X3			150A	LY42178-001A	BKT(MECHA),X2
		111	LY20550-008A	UPPER CASE(3)ASSY,E,F,G			150B	LY30018-0B4A	SPECIAL SCREW,X4
			LY20557-005A	UPPER CASE(2.5)ASSY,A,B,C,D			151	LY42179-001B	BKT(OP)ASSY
		111B	LY31623-001A	BRACKET			151A	LY41675-001A	RUBBER,X2
		111C	LY40664-001A	SPACER,X2,A,B,C,D			152	LY31612-001A	ARM ASSY
			LY40664-002A	SPACER,X2,E,F,G			153	LY30018-084A	SPECIAL SCREW,X4
		111D	LY31019-001A	BASE			154	LY30018-066A	SPECIAL SCREW,X4
		111E	LY42244-005A	SHEET(MARK)			155	LY40709-001C	BRACKET(GRD)
		111H	LY30018-084A	SPECIAL SCREW,X2			156	YQ43893-3	MINI SCREW
		111J	LY30018-0A8A	SPECIAL SCREW,X4			157	YQ43893-3	MINI SCREW
		112	QAS0048-001	SPEAKER			158	LY30018-023A	SPECIAL SCREW
		113	LY42167-001A	PLATE(SPK)			159	LY30019-021A	SPECIAL SCREW,X2
		114	LY42168-001A	KNOB(SLIDE)			160	LY30018-023A	SPECIAL SCREW,X2
		115	LY30018-023A	SPECIAL SCREW			161	LY30018-023A	SPECIAL SCREW,X2
		116	LY30018-0A5A	SPECIAL SCREW			162	YQ43893-4	MINI SCREW
		117	LY30018-0A8A	SPECIAL SCREW,X2			163	LY30018-024A	SPECIAL SCREW,X2
		118	LY30018-090A	SPECIAL SCREW,X2			164	WJT0028-001A	FFC WIRE,MAIN CN113-JUNC CN571
		119	LY30018-038A	SPECIAL SCREW			165	WJT0029-001A	E-CARD WIRE,MAIN CN101-MONI CN7601
		120	LY30018-084A	SPECIAL SCREW,X2			166	LY31657-001A	SHIELD CASE(2)
		121	LY20563-005A	FRONT COVER ASSY			167	LY30018-050A	SPECIAL SCREW,X2
		121A	LY31615-001B	HOOD			168	LY42583-001A	SHEET
		121B	LY31616-001A	RING			170	LY30018-023A	SPECIAL SCREW,X3
		121C	LY20572-001A	HOLDER(L.CONT.)			171	WJT0036-001A	E-CARD WIRE,DSC CN802-MMC CN852
		121D	LY40987-003B	MARK			172	QAM0262-002	MEMORY CARD
		121E	YQ43810-1-1	CONTACT(LIGHT),X2			212	LY30483-001Q	CASSETTE HOUSING ASSY
		121F	WJM0003-006A	E-SI C WIRE C-F			213	YQ43893-4	MINI SCREW,X3
		121G	YQ44434	BRACKET			- OPTICAL BLOCK SECTION -		
		121H	LY30018-0A7A	SPECIAL SCREW,X6			251	YS20973G	OPTICAL BLOCK ASSY
		121J	LY30018-079A	SPECIAL SCREW			251A	LY30723-001B	ZOOM MOTOR
		121K	LY30029-042A	SPACER(A)			251B	LY30724-001B	FOCUS MOTOR
		121L	LY31614-001A	COVER(BOTTOM)			251C	LY30727-002A	SCREW,X5
		122	LY42184-001A	PLATE(MIC)			251E	LY30727-001A	SCREW,X2
		123	LY31617-001A	DC LIGHT ASSY			251F	LY41718-001A	OPTICAL LPF
		123A	YQ44266	LAMP			251G	LY31639-001A	SPACER RUBBER
		124	LY30861-012A	MICROPHONE			251H	QYSPSGU1750Z	SCREW,X2
		125	LY42390-001A	SHEET(MIC)1			251J	LY31726-001A	IRIS MOTOR
		126	QYSLSF2055D	SPECIAL SCREW			251K	YS40168F	CCD BASE ASSY
		127	LY20552-016A	TOP COVER(3),E,F					
			LY20552-017A	TOP COVER(3),G					
			LY20559-007A	TOP COVER(2.5),A,B					
			LY20559-008A	TOP COVER(2.5),C,D					

5.3 MECHANISM ASSEMBLY <M3>

BEWARE OF BOGUS PARTS

Parts that do not meet specifications may cause trouble in regard to safety and performance. We recommend that genuine JVC parts be used.



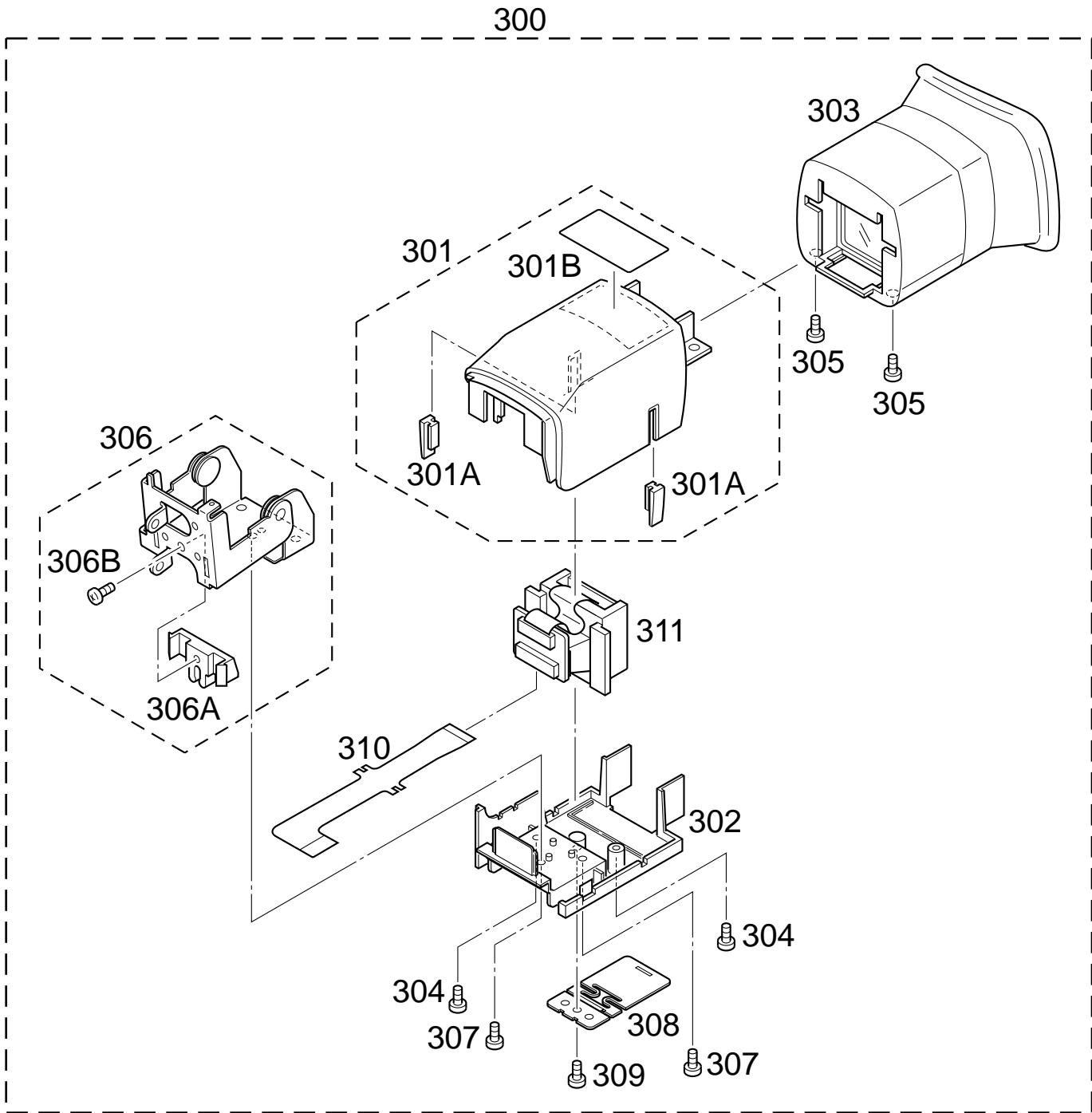
Classification	Part No.	Symbol in drawing
Grease	KYODO-SH-P	AA
Oil	YTU94027	BB

NOTE:The section marked in **AA** and **BB**, indicate lubrication and greasing areas.

#	△ REF No.	PART No.	PART NAME, DESCRIPTION	#	△ REF No.	PART No.	PART NAME, DESCRIPTION

MECHANISM ASSEMBLY <M3>							
401		LY10077-001L	MAIN DECK ASSY	459		YQ44246	SLIT WASHER
402		LY30436-001F	SLANT P.ARM ASSY	460		LY40452-001C	SUB BRAKE ASSY
403		YQ44246	SLIT WASHER	461		YQ44246	SLIT WASHER
404		LY30438-001B	CLEANER ARM ASSY	462		LY30479-001E	RELEASE GUIDE ASSY
405		LY10080-001V	RAIL ASSY	463		YQ44246	SLIT WASHER
406		YQ44246	SLIT WASHER,X3	464		LY20146-001H	REEL COVER ASSY
407		LY40353-001D	GUIDE ROLLER(S)ASSY	465		YQ43893-4	MINI SCREW,X2
408		LY30002-006C	COMPRES. SPRING	466		YQ43893	MINI SCREW
409		QAR0026-002	CAPSTAN MOTOR	467		YQ44246	SLIT WASHER
410		LY30504-001C	CATCHER(T)ASSY	468		YDV2086I	DRUM ASSY
411		YQ43893	MINI SCREW,X4	469		YQ43893	MINI SCREW,X3
413		LY30448-001G	MOTOR BKT ASSY	470		LY20138-001D	PWB HOLDER
414		YQ43893	MINI SCREW,X2	471		YQ43893	MINI SCREW,X2
415		LY30449-001C	WORM WHEEL	472		LY10082-001K	SLIDE DECK ASSY
416		YQ44246	SLIT WASHER	473		LY30462-001B	LOADING GUIDE
417		LY40496-001C	ROTARY ENCODER	474		YQ43893	MINI SCREW
418		YQ43893	MINI SCREW	475		YMA0025H	MECHA(A)ASSY
419		YQ44246	SLIT WASHER	476		LY30016-0M1A	SPACER-A
420		LY40614-001B	GEAR HOLDER	478		LY30496-001U	DECK ASSY
421		YQ43893-6	MINI SCREW	480		LY41573-001A	WASHER
422		LY30450-001C	MAIN CAM				
423		LY30840-001A	BRAKE CTL PLATE				
424		YQ43893	MINI SCREW				
425		LY40373-001C	TC LEVER ASSY				
426		LY30452-001G	SLIDE LEVER ASSY				
427		LY30454-001A	CONNECT GEAR				
428		YQ44246	SLIT WASHER				
429		LY30455-001B	SUB CAM				
430		YQ43893	MINI SCREW				
431		LY30456-001F	PINCHROLLER ARM ASSY				
432		YQ44246	SLIT WASHER				
433		LY30459-001A	CHARGE ARM ASSY				
434		YQ44246	SLIT WASHER				
435		LY40387-001D	BC LEVER ASSY				
436		LY40389-001D	R.D.PULLEY ASSY				
437		YQ44246-2	SLIT WASHER				
438		LY40391-001G	CENTER GEAR ASSY				
439		LY40396-001A	TIMING BELT				
440		LY40413-001A	COLLAR,X2				
441		LY30468-001E	GUIDE ARM ASSY				
442		LY30618-001C	SLIDE GUIDE PLATE ASSY				
443		YQ43893-2	MINI SCREW				
444		LY40420-001J	TENSION ARM ASSY				
445		YQ44246	SLIT WASHER				
446		LY30471-001D	PAD ARM ASSY				
447		YQ44246	SLIT WASHER				
448		LY40432-001H	IDLER ARM ASSY				
449		YQ44246-2	SLIT WASHER				
450		LY30476-001A	GUIDE PIN(S)				
451		YQ43893	MINI SCREW				
452		LY40441-001B	REEL DISK(SUPPLY)ASSY				
453		YQ44246	SLIT WASHER				
454		LY40443-001B	REEL DISK(TAKE-UP)ASSY				
455		YQ44246	SLIT WASHER				
456		LY30477-001F	CTL PLATE ASSY				
457		YQ44246	SLIT WASHER,X2				
458		LY40444-001E	LOADING BRAKE ASSY				

5.4 ELECTRONIC VIEWFINDER ASSEMBLY <M4> [DVL308EG/EK, DVL309EG]



▲ REF No. PART No. PART NAME, DESCRIPTION

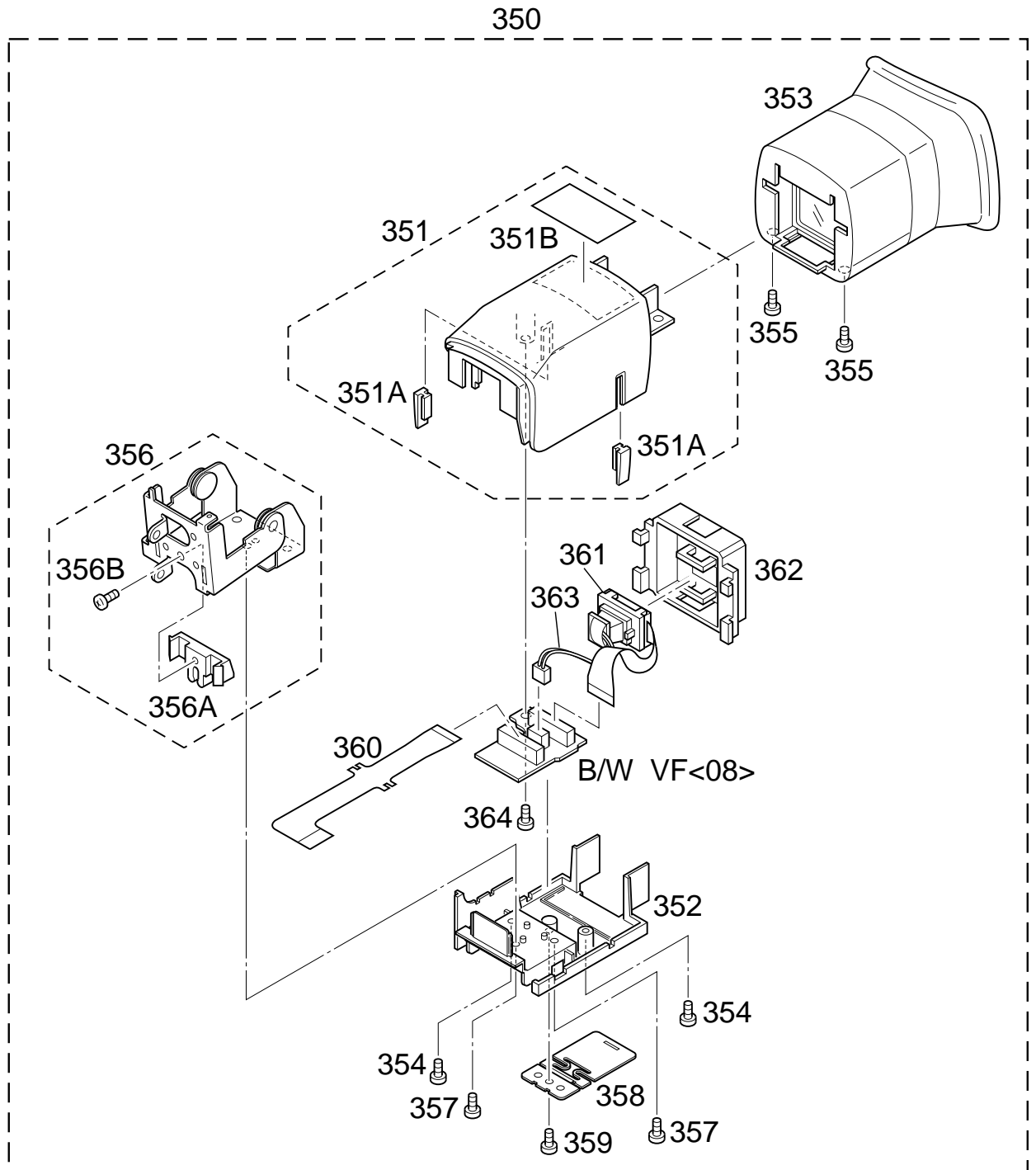
ELECTRONIC VIEWFINDER ASSEMBLY <M4>

300	LY20596-004A	COLOR VF UNIT
301	LY31600-004A	VF CASE(U)ASSY
301A	LY42170-001A	GUIDE,X2
301B	LY42169-001A	LABEL(CAUTION)
302	LY20554-001A	VF CASE(LOWER)
303	LY20555-001A	EYE P.ASSY
304	LY30018-079A	SPECIAL SCREW,X2

▲ REF No. PART No. PART NAME, DESCRIPTION

305	LY30018-079A	SPECIAL SCREW,X2
306	LY31602-001C	HINGE(VF)ASSY
306A	LY31601-001A	CLIP(VF)
306B	LY30018-023A	SPECIAL SCREW
307	LY30018-066A	SPECIAL SCREW,X2
308	LY31250-001A	CAPACITOR
309	LY30018-063A	SPECIAL SCREW
310	QAL0223-001	FPC
311	PTY20596-051	LCD MODULE

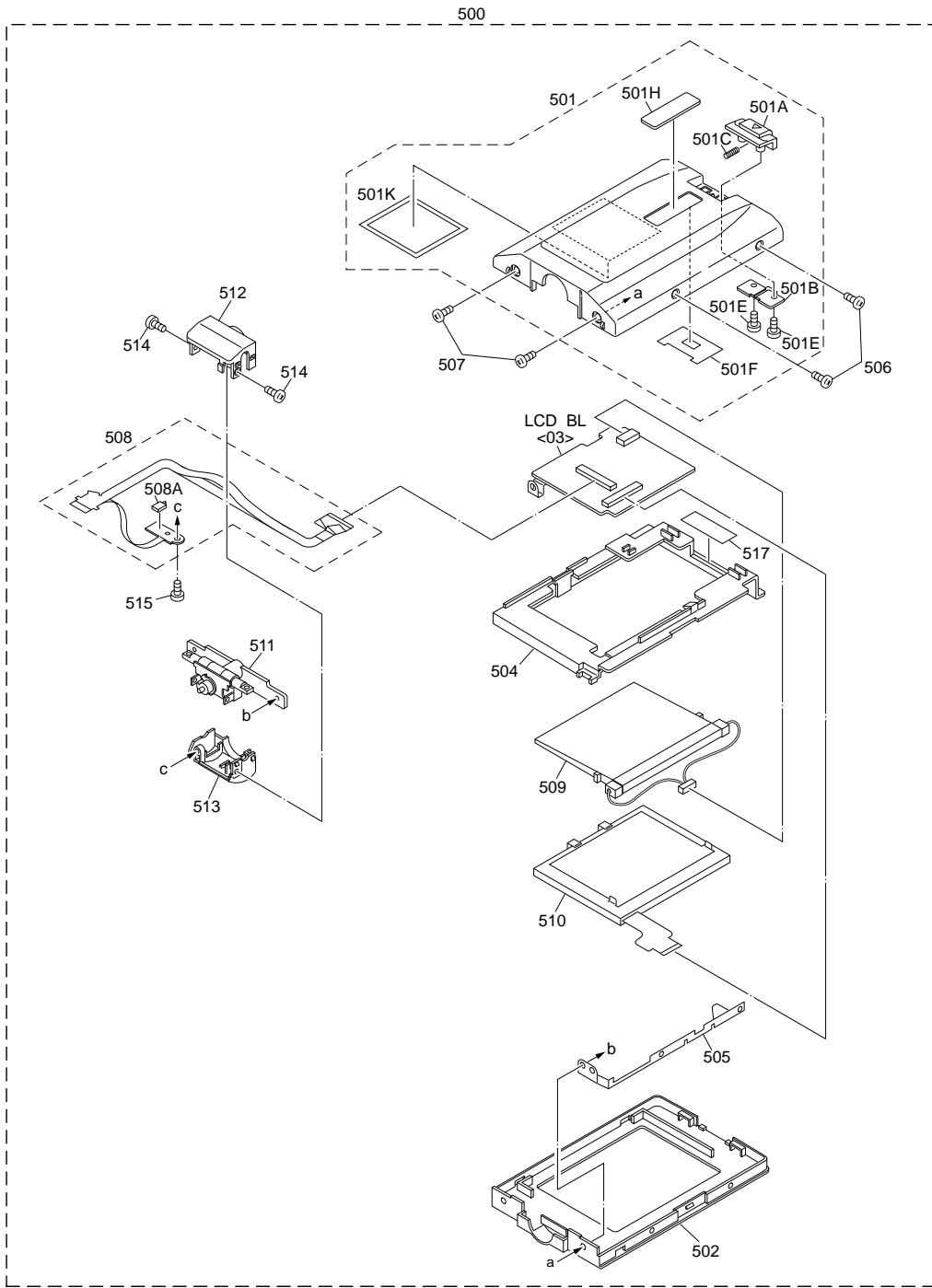
5.4 ELECTRONIC VIEWFINDER ASSEMBLY <M4> [DVL108EG/EK, DVL109EG/EK]



#	△ REF No.	PART No.	PART NAME, DESCRIPTION	#	△ REF No.	PART No.	PART NAME, DESCRIPTION

ELECTRONIC VIEWFINDER ASSEMBLY <M4>							
350		LYH20136-007A	E.VF ASSY	356		LY31602-001C	HINGE(VF)ASSY
351		LY31600-004A	VF CASE(U)ASSY	356A		LY31601-001A	CLIP(VF)
351A		LY42170-001A	GUIDE,X2	356B		LY30018-023A	SPECIAL SCREW
351B		LY42169-001A	LABEL(CAUTION)	357		LY30018-066A	SPECIAL SCREW,X2
352		LY20554-001A	VF CASE(LOWER)	358		LY31250-001A	CAPACITOR
353		LY20555-002B	EYE P.ASSY	359		LY30018-063A	SPECIAL SCREW
354		LY30018-079A	SPECIAL SCREW,X2	360		QAL0223-002	FPC
355		LY30018-079A	SPECIAL SCREW,X2	361		QLD0133-001	LCD MODULE
				362		LY20481-002A	HOLDER(B/W LCD)
				363		QLL0067-001	BACK LIGHT
				364		LY30018-063A	SPECIAL SCREW

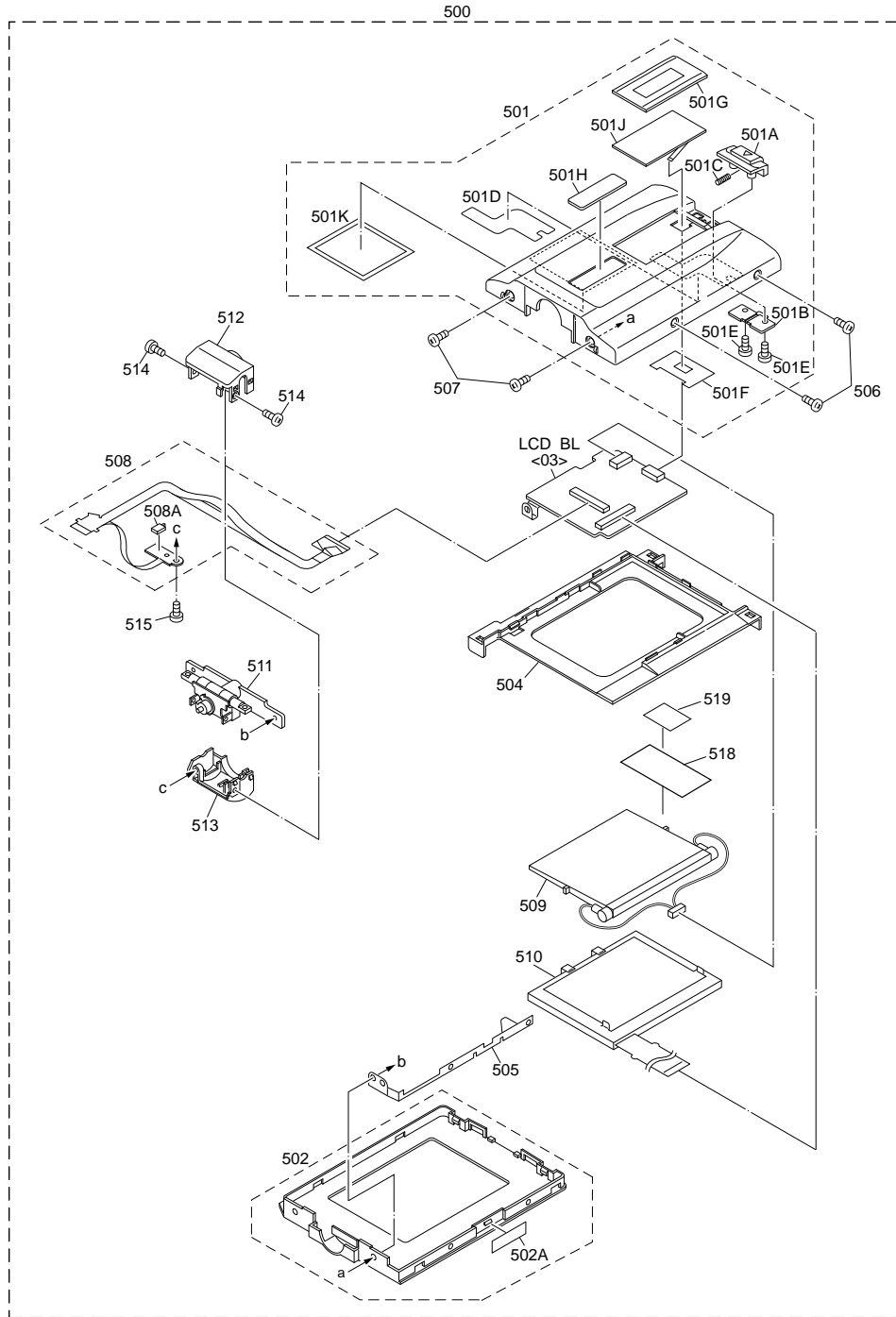
5.5 MONITOR ASSEMBLY <M5> [DVL108EG/EK, DVL109EG/EK]



#	△ REF No.	PART No.	PART NAME, DESCRIPTION	#	△ REF No.	PART No.	PART NAME, DESCRIPTION

MONITOR ASSEMBLY <M5>							
△	500	LYH20135-019A	MONITOR ASSY	504	LY20570-001A		HOLDER(2.5PWB)
△	501	LY20569-005A	MONITOR COVER ASSY	505	LY31622-001A		BRACKET(EARTH)
	501A	LY31620-001A	KNOB(LOCK 1)	506	QYSPSPT1730R		SCREW,X2
	501B	LY42180-001A	KNOB(LOCK 2)	507	QYSLSP2040D		SCREW,X2
	501C	LY30002-044A	COMPRES. SPRING	508	LY31743-001A		MONI.FPC ASSY
	501E	LY30018-011A	SPECIAL SCREW,X2	508A	NSW0095-001X		DETECT SWITCH
	501F	LY42368-001A	SHEET(MON)	509	QLL0079-001		BACK LIGHT
	501H	LY42162-001A	MARK	510	QLD0130-001		LCD MODULE
	501K	LY40559-001A	SHIELD SHEET	511	LY31236-003A		HINGE ASSY
	502	LY10230-001A	MONITOR CASE(2.5)	512	LY31624-003A		HINGE COVER(1)
				513	LY31625-001A		HINGE COVER(2)
				514	LY30018-058A		SPECIAL SCREW,X2
				515	LY30018-023A		SPECIAL SCREW
				517	LY30029-063A		SPACER(A)

5.5 MONITOR ASSEMBLY <M5> [DVL308EG/EK, 309EG]



#	△ REF No.	PART No.	PART NAME, DESCRIPTION	#	△ REF No.	PART No.	PART NAME, DESCRIPTION

MONITOR ASSEMBLY <M5>							
△	500	LYH20135-018A	MONITOR ASSY	502A	LY42388-001A	EARTH MON(2)	
△	501	LY20565-013A	MONITOR COVER ASSY	504	LY20568-001A	HOLDER(3.5PWB)	
	501A	LY31620-001A	KNOB(LOCK 1)	505	LY31622-001A	BRACKET(EARTH)	
	501B	LY42180-001A	KNOB(LOCK 2)	506	QYSPSPT1730R	SCREW,X2	
	501C	LY30002-044A	COMPRES. SPRING	507	QYSLSP2040D	SCREW,X2	
	501D	LY42386-001A	EARTH MON	508	LY31743-001A	MONI.FPC ASSY	
	501E	LY30018-011A	SPECIAL SCREW,X2	508A	NSW0095-001X	DETECT SWITCH	
	501F	LY42368-001A	SHEET(MON)	509	QLL0081-001	BACK LIGHT	
	501G	LY31621-001A	WINDOW	510	QLD0096-002	LCD MODULE	
	501H	LY42162-001A	MARK	511	LY31236-003A	HINGE ASSY	
	501J	LY42193-001A	EL(WINDOW)	512	LY31624-003A	HINGE COVER(1)	
	501K	LY40559-001A	SHIELD SHEET	513	LY31625-001A	HINGE COVER(2)	
	502	LY20598-002A	MONITOR CASE ASSY	514	LY30018-058A	SPECIAL SCREW,X2	
				515	LY30018-023A	SPECIAL SCREW	
				518	LY30029-0A5A	SPACER(A)	
				519	PU59915-105	#500SPACER0,01	

5.6 ELECTRICAL PARTS LIST

MODEL	MARK	MODEL	MARK
GR-DVL108EG	A	GR-DVL308EG	E
GR-DVL108EK	B	GR-DVL308EK	F
GR-DVL109EG	C	GR-DVL309EG	G
GR-DVL109EK	D		

#	△ REF No.	PART No.	PART NAME, DESCRIPTION

MAIN BOARD ASSEMBLY <01>			
PW		YB10277MA-06	MAIN BOARD ASSY,A,B,C,D
		YB10277MB-06	MAIN BOARD ASSY,E,F,G
IC1001		MN102F1617HL-M2	IC(MICRO C ROM)
		or MN1021617FR1	IC(MICRO C ROM)
IC1002		MB90097PFV133	IC(MICRO C ROM)
IC1003		AT25160N-10SC-X	IC
		or NM25C160LZEM8	IC
		or X25170S8I-2.5-X	IC
		or 25LC160-I/SN-X	IC
IC1004		RS5C314	IC
IC1009		S-814A30AMC-W	IC
IC1010		IC-PST9323U-X	IC
IC1014		SN74LV08APW	IC
IC1015		TC7W66FK	IC
IC1301		SN74LV08APW	IC
IC1302		MAX3221CAE	IC
IC1303		SN74LV02APW	IC
IC1401		YQ44864A	CSP IC ASSY
IC1402		TC7W14FU	IC(DIGITAL)
		or SN74AHC2G14T	IC
IC1403		TC7W66FK	IC
IC1405		TC7W53FU	IC(DIGITAL)
		or SN74AHC2G53T	IC
IC1601		BD6630KV	IC
IC2201		AK4560VQ	IC
IC3001		JCY0106-2	IC
IC3002		M51V18165D50TSK	IC(DIGITAL)
IC3005		SN74AHC1G04K	IC
IC3007		TC7SL00FU	IC(DIGITAL)
IC3101		PDI1394P11ABD	IC
IC3201		JCY0107QP	IC
IC3202		TC7SH00FU	IC(DIGITAL)
IC3301		JCY0108	IC
IC3501		AN3731FHQ	IC(DIGITAL)
IC3701		MM1510XN	IC
IC4201		HD49323AF	IC
IC4202		MM1385HN	IC
IC4301		JCY0120	IC(DIGITAL)
IC4302		MSM548331TA	IC(DIGITAL)
IC4303		MM1385NN	IC
IC4802		TA75W01FU	IC
IC4803		TA75W01FU	IC
IC4804		NJM3414AV	IC
IC4805		MM6564XFBE	IC
IC4851		UPD16879GS	IC
IC5501		JCY0117	IC
IC5601		TC7S32FU	IC(DIGITAL)
IC5602		TC7S04FU	IC(DIGITAL)
IC6001		FA3676F	IC
IC6301		S-80842ANNP-W	IC
Q1002		DTA144EE	TRANSISTOR
		or PDTA144EE	TRANSISTOR
		or RN2104	TRANSISTOR
		or UN9113J	TRANSISTOR
Q1003		DTA114EE	TRANSISTOR
		or PDTA114EE	TRANSISTOR
		or RN2102	TRANSISTOR

#	△ REF No.	PART No.	PART NAME, DESCRIPTION
		or UN9111J	TRANSISTOR
Q1004		DTC144EE	TRANSISTOR
		or PDTC144EE	TRANSISTOR
		or RN1104	TRANSISTOR
		or UN9213J	TRANSISTOR
Q1008		DTC144EE	TRANSISTOR
		or RN1104	TRANSISTOR
		or UN9213J	TRANSISTOR
		or PDTC144EE	TRANSISTOR
Q1009		DTC144EE	TRANSISTOR
		or PDTC144EE	TRANSISTOR
		or RN1104	TRANSISTOR
		or UN9213J	TRANSISTOR
Q1010		DTA114EE	TRANSISTOR
		or RN2102	TRANSISTOR
		or UN9111J	TRANSISTOR
		or PDTA114EE	TRANSISTOR
Q1301		2SC4617/QR/-X	TRANSISTOR
		or 2SC4738/YG/-X	TRANSISTOR
Q1401		DTA114EE	TRANSISTOR
		or PDTA114EE	TRANSISTOR
		or RN2102	TRANSISTOR
		or UN9111J	TRANSISTOR
Q1402		UMC3N	TRANSISTOR
Q1403		UMC3N	TRANSISTOR
Q1601		UMC3N	TRANSISTOR
Q2201		2SC4617/QR/-X	TRANSISTOR
		or 2SC4738/YG/-X	TRANSISTOR
Q2202		UMX1N	PAIR TRANSISTOR
Q2401		2SC4617/QR/-X	TRANSISTOR
		or 2SC4738/YG/-X	TRANSISTOR
Q2402		2SD1511/R/-X	TRANSISTOR
Q2601		2SA1774/QR/-X	TRANSISTOR
		or 2SA1832/YG/-X	TRANSISTOR
Q2602		2SA1774/QR/-X	TRANSISTOR
		or 2SA1832/YG/-X	TRANSISTOR
Q2603		2SC4617/QR/-X	TRANSISTOR
		or 2SC4738/YG/-X	TRANSISTOR
Q2604		2SC4617/QR/-X	TRANSISTOR
		or 2SC4738/YG/-X	TRANSISTOR
Q3501		2SC4226/4/-X	TRANSISTOR
Q3502		2SD1979/S/-X	TRANSISTOR
Q3503		2SD1979/S/-X	TRANSISTOR
Q3504		2SC4226/4/-X	TRANSISTOR
Q3505		2SA1577/QR/-X	TRANSISTOR
Q3506		DTC144EE	TRANSISTOR
		or PDTC144EE	TRANSISTOR
		or RN1104	TRANSISTOR
		or UN9213J	TRANSISTOR
Q3701		HN1C01FU/G/-X	PAIR TRANSISTOR
		or PUMX1	PAIR TRANSISTOR
Q3702		2SC4617/QR/-X	TRANSISTOR
		or 2SC4738/YG/-X	TRANSISTOR
Q3703		2SA1774/QR/-X	TRANSISTOR
		or 2SA1832/YG/-X	TRANSISTOR
Q3704		HN1C01FU/G/-X	PAIR TRANSISTOR
		or PUMX1	PAIR TRANSISTOR
Q3705		HN1A01FU/G/-X	PAIR TRANSISTOR
		or PUMT1	PAIR TRANSISTOR
Q3706		HN1C01FU/G/-X	PAIR TRANSISTOR
		or PUMX1	PAIR TRANSISTOR

#	△	REF No.	PART No.	PART NAME, DESCRIPTION	#	△	REF No.	PART No.	PART NAME, DESCRIPTION	
		Q3707	HN1A01FU/G/-X or PUMT1	PAIR TRANSISTOR PAIR TRANSISTOR			D1604	DAP222	DIODE	
		Q3708	2SC4617/QR/-X or 2SC4738/YG/-X	TRANSISTOR TRANSISTOR			D5501	1SS355	DIODE	
		Q3709	2SC4617/QR/-X or 2SC4738/YG/-X	TRANSISTOR TRANSISTOR			D6111	CRS06	SB DIODE	
		Q3710	2SC4617/QR/-X or 2SC4738/YG/-X	TRANSISTOR TRANSISTOR			D6121	CRS06	SB DIODE	
		Q3711	2SA1774/QR/-X or 2SA1832/YG/-X	TRANSISTOR TRANSISTOR			D6122	1SS357	SB DIODE	
		Q4302	UMT2N	PAIR TRANSISTOR			D6131	CRS06	SB DIODE	
		Q4306	2SA1774/QR/-X or 2SA1832/YG/-X	TRANSISTOR TRANSISTOR			D6141	CRS06	SB DIODE	
		Q4803	2SC4655/BC/-X	TRANSISTOR			D6151	CRS06	SB DIODE	
		Q4851	2SC4617/QR/-X or 2SC4738/YG/-X	TRANSISTOR TRANSISTOR			D6152	CRS06	SB DIODE	
		Q6111	CPH3304	MOS FET			D6161	1SS383	SB DIODE	
		Q6121	CPH3304	MOS FET			D6163	1SS383	SB DIODE	
		Q6123	2SB1121/TU/-X	TRANSISTOR			D6165	MA8091/L/-X	ZENER DIODE	
		Q6124	2SC4617/QR/-X or 2SC4738/YG/-X	TRANSISTOR TRANSISTOR			R1001	NRSA6AJ-0R0W	MG RESISTOR	0Ω,1/16W
		Q6131	CPH3304	MOS FET			R1003	NRSA6AJ-104W	MG RESISTOR	100kΩ,1/16W
		Q6132	DTC144EE or PDTC144EE or UN9213J or RN1104	TRANSISTOR TRANSISTOR TRANSISTOR TRANSISTOR			R1004	NRSA6AJ-104W	MG RESISTOR	100kΩ,1/16W
		Q6141	CPH3304	MOS FET			△ R1005	NRSA6AJ-102W	MG RESISTOR	1kΩ,1/16W
		Q6151	CPH3304	MOS FET			R1006	NRSA6AD-823W	MG RESISTOR	82kΩ,1/16W
		Q6161	CPH3304	MOS FET			R1007	NRSA6AJ-102W	MG RESISTOR	1kΩ,1/16W
		Q6162	HN1C01FU/G/-X or PUMX1	PAIR TRANSISTOR PAIR TRANSISTOR			R1008	NRSA6AJ-0R0W	MG RESISTOR	0Ω,1/16W
		Q6163	2SA1577/QR/-X	TRANSISTOR			R1009	NRSA6AD-473W	MG RESISTOR	47kΩ,1/16W
		Q6164	2SC4617/QR/-X or 2SC4738/YG/-X	TRANSISTOR,A,B,C,D TRANSISTOR,A,B,C,D			R1010	NRSA6AJ-473W	MG RESISTOR	47kΩ,1/16W
		Q6165	HN1A01FU/G/-X or PUMT1	PAIR TRANSISTOR PAIR TRANSISTOR			R1011	NRSA6AJ-102W	MG RESISTOR	1kΩ,1/16W
		Q6166	2SC4617/QR/-X or 2SC4738/YG/-X	TRANSISTOR TRANSISTOR			R1012	NRSA6AJ-104W	MG RESISTOR	100kΩ,1/16W
		Q6167	2SA1774/QR/-X or 2SA1832/YG/-X	TRANSISTOR TRANSISTOR			R1013	NRSA6AJ-102W	MG RESISTOR	1kΩ,1/16W
		Q6168	DTC144EE or PDTC144EE or RN1104 or UN9213J	TRANSISTOR TRANSISTOR TRANSISTOR TRANSISTOR			R1014	NRSA6AJ-102W	MG RESISTOR	1kΩ,1/16W
		Q6201	2SA1774/QR/-X or 2SA1832/YG/-X	TRANSISTOR TRANSISTOR			R1015	NRSA6AJ-102W	MG RESISTOR	1kΩ,1/16W
		Q6202	2SD1621(TU)	TRANSISTOR			R1017	NRSA6AJ-102W	MG RESISTOR	1kΩ,1/16W
		Q6203	2SC4617/QR/-X or 2SC4738/YG/-X	TRANSISTOR TRANSISTOR			R1018	NRSA6AJ-104W	MG RESISTOR	100kΩ,1/16W
		Q6301	DTC144EE or PDTC144EE or UN9213J or RN1104	TRANSISTOR TRANSISTOR TRANSISTOR TRANSISTOR			R1021	NRSA6AJ-104W	MG RESISTOR	100kΩ,1/16W
		Q6302	2SK1830	MOS FET			R1022	NRSA6AJ-103W	MG RESISTOR	10kΩ,1/16W
		Q6303	2SJ347	MOS FET			R1025	NRSA6AJ-0R0W	MG RESISTOR	0Ω,1/16W
		Q6304	2SK1830	MOS FET			R1026	NRSA6AJ-0R0W	MG RESISTOR	0Ω,1/16W
		Q6305	CPH3304	MOS FET			R1034	NRSA6AJ-0R0W	MG RESISTOR	0Ω,1/16W
△		D1001	RB715F	SB DIODE			R1035	NRSA6AJ-104W	MG RESISTOR	100kΩ,1/16W
		D1303	SB007W03Q	SB DIODE			R1037	NRSA6AJ-103W	MG RESISTOR	10kΩ,1/16W
		D1602	DAP222	DIODE			R1038	NRSA6AJ-103W	MG RESISTOR	10kΩ,1/16W
		D1603	DAP222	DIODE			R1042	NRSA6AJ-183W	MG RESISTOR	18kΩ,1/16W
							R1043	NRSA6AJ-473W	MG RESISTOR	47kΩ,1/16W
							R1045	NRSA6AJ-222W	MG RESISTOR	2.2kΩ,1/16W
							R1047	NRSA6AJ-473W	MG RESISTOR	47kΩ,1/16W
							R1048	NRSA6AJ-393W	MG RESISTOR	39kΩ,1/16W
							R1049	NRSA6AJ-223W	MG RESISTOR	22kΩ,1/16W
							R1050	NRSA6AJ-104W	MG RESISTOR	100kΩ,1/16W
							R1051	NRSA6AJ-0R0W	MG RESISTOR	0Ω,1/16W
							R1052	NRSA6AJ-103W	MG RESISTOR	10kΩ,1/16W
							R1053	NRSA6AJ-0R0W	MG RESISTOR	0Ω,1/16W
							R1054	NRSA6AJ-822W	MG RESISTOR	8.2kΩ,1/16W
							R1055	NRSA6AJ-101W	MG RESISTOR	100Ω,1/16W
							R1056	NRSA6AJ-101W	MG RESISTOR	100Ω,1/16W
							R1057	NRSA6AJ-123W	MG RESISTOR	12kΩ,1/16W
							R1058	NRSA63J-0R0X	MG RESISTOR	0Ω,1/16W
							R1060	NRSA6AJ-224W	MG RESISTOR	220kΩ,1/16W
							R1062	NRSA6AJ-0R0W	MG RESISTOR	0Ω,1/16W
							R1063	NRSA6AJ-681W	MG RESISTOR	680Ω,1/16W
							R1065	NRSA6AJ-0R0W	MG RESISTOR	0Ω,1/16W
							R1066	NRSA6AJ-473W	MG RESISTOR	47kΩ,1/16W
							R1067	NRSA6AJ-393W	MG RESISTOR	39kΩ,1/16W
							R1068	NRSA6AJ-561W	MG RESISTOR	560Ω,1/16W
							R1069	NRSA6AJ-0R0W	MG RESISTOR	0Ω,1/16W
							R1070	NRSA6AJ-0R0W	MG RESISTOR	0Ω,1/16W
							R1071	NRSA6AJ-102W	MG RESISTOR	1kΩ,1/16W

#	△ REF No.	PART No.	PART NAME, DESCRIPTION	#	△ REF No.	PART No.	PART NAME, DESCRIPTION
R1072		NRSA6AJ-102W	MG RESISTOR 1kΩ,1/16W	R1606		NRSA6AJ-103W	MG RESISTOR 10kΩ,1/16W
R1073		NRSA6AJ-103W	MG RESISTOR 10kΩ,1/16W	R1609		NRV142F-R33X	CMF RESISTOR 0.33Ω,1/4W
R1074		NRSA6AJ-103W	MG RESISTOR 10kΩ,1/16W	R1610		NRSA6AJ-471W	MG RESISTOR 470Ω,1/16W
R1076		NRSA6AJ-102W	MG RESISTOR 1kΩ,1/16W	R1611		NRSA6AJ-471W	MG RESISTOR 470Ω,1/16W
R1077		NRSA6AD-473W	MG RESISTOR 47kΩ,1/16W	R1612		NRSA6AJ-104W	MG RESISTOR 100kΩ,1/16W
R1080		NRSA6AJ-103W	MG RESISTOR 10kΩ,1/16W	R1613		NRSA6AJ-102W	MG RESISTOR 1kΩ,1/16W
R1081		NRSA6AJ-103W	MG RESISTOR 10kΩ,1/16W	R1614		NRSA6AJ-682W	MG RESISTOR 6.8kΩ,1/16W
R1082		NRSA6AJ-101W	MG RESISTOR 100Ω,1/16W	R1615		NRSA6AJ-103W	MG RESISTOR 10kΩ,1/16W
R1083		NRSA6AJ-101W	MG RESISTOR 100Ω,1/16W	R1616		NRSA6AJ-391W	MG RESISTOR 390Ω,1/16W
R1084		NRSA6AJ-101W	MG RESISTOR 100Ω,1/16W	R1617		NRSA6AJ-224W	MG RESISTOR 220kΩ,1/16W
R1085		NRSA6AJ-101W	MG RESISTOR 100Ω,1/16W	R1618		NRSA6AJ-154W	MG RESISTOR 150kΩ,1/16W
R1302		NRSA6AJ-472W	MG RESISTOR 4.7kΩ,1/16W	R1619		NRSA6AJ-223W	MG RESISTOR 22kΩ,1/16W
R1307		NRSA6AJ-472W	MG RESISTOR 4.7kΩ,1/16W	R1620		NRSA6AJ-103W	MG RESISTOR 10kΩ,1/16W
R1408		NRSA6AJ-331W	MG RESISTOR 330Ω,1/16W	R1621		NRSA6AJ-103W	MG RESISTOR 10kΩ,1/16W
R1410		NRSA6AJ-331W	MG RESISTOR 330Ω,1/16W	R1622		NRSA6AJ-103W	MG RESISTOR 10kΩ,1/16W
R1412		NRSA6AJ-222W	MG RESISTOR 2.2kΩ,1/16W	R1624		NRSA6AD-123W	MG RESISTOR 12kΩ,1/16W
R1413		NRSA6AJ-222W	MG RESISTOR 2.2kΩ,1/16W	R1625		NRSA6AJ-0R0W	MG RESISTOR 0Ω,1/16W
R1414		NRSA6AJ-102W	MG RESISTOR 1kΩ,1/16W	R1626		NRSA6AJ-0R0W	MG RESISTOR 0Ω,1/16W
R1415		NRSA6AJ-102W	MG RESISTOR 1kΩ,1/16W	R1627		NRSA6AJ-0R0W	MG RESISTOR 0Ω,1/16W
R1420		NRSA6AJ-101W	MG RESISTOR 100Ω,1/16W	R1628		NRSA6AD-361W	MG RESISTOR 360Ω,1/16W
R1427		NRSA6AJ-332W	MG RESISTOR 3.3kΩ,1/16W	R1629		NRSA6AJ-684W	MG RESISTOR 680kΩ,1/16W
R1428		NRSA6AJ-332W	MG RESISTOR 3.3kΩ,1/16W	R1630		NRSA6AJ-0R0W	MG RESISTOR 0Ω,1/16W
R1429		NRSA6AJ-332W	MG RESISTOR 3.3kΩ,1/16W	R1631		NRSA6AJ-0R0W	MG RESISTOR 0Ω,1/16W
R1430		NRSA6AJ-753W	MG RESISTOR 75kΩ,1/16W	R1635		NRSA6AJ-472W	MG RESISTOR 4.7kΩ,1/16W
R1431		NRSA6AJ-334W	MG RESISTOR 330kΩ,1/16W	R1636		NRSA6AJ-103W	MG RESISTOR 10kΩ,1/16W
R1432		NRSA6AJ-103W	MG RESISTOR 10kΩ,1/16W	R1637		NRSA6AJ-124W	MG RESISTOR 120kΩ,1/16W
R1433		NRSA6AJ-102W	MG RESISTOR 1kΩ,1/16W	R1644		NRSA6AJ-0R0W	MG RESISTOR 0Ω,1/16W
R1434		NRSA6AJ-153W	MG RESISTOR 15kΩ,1/16W	R2106		NRSA6AJ-100W	MG RESISTOR 10Ω,1/16W
R1435		NRSA6AJ-102W	MG RESISTOR 1kΩ,1/16W	R2201		NRSA6AJ-2R7W	MG RESISTOR 2.7Ω,1/16W
R1438		NRSA6AJ-102W	MG RESISTOR 1kΩ,1/16W	R2202		NRSA6AJ-2R7W	MG RESISTOR 2.7Ω,1/16W
R1439		NRSA6AJ-102W	MG RESISTOR 1kΩ,1/16W	R2203		NRSA6AJ-183W	MG RESISTOR 18kΩ,1/16W
R1444		NRSA6AJ-102W	MG RESISTOR 1kΩ,1/16W	R2204		NRSA6AJ-104W	MG RESISTOR 100kΩ,1/16W
R1445		NRSA6AJ-102W	MG RESISTOR 1kΩ,1/16W	R2206		NRSA6AJ-332W	MG RESISTOR 3.3kΩ,1/16W
R1446		NRSA6AJ-102W	MG RESISTOR 1kΩ,1/16W	R2207		NRSA6AJ-102W	MG RESISTOR 1kΩ,1/16W
R1447		NRSA6AJ-102W	MG RESISTOR 1kΩ,1/16W	R2208		NRSA6AJ-102W	MG RESISTOR 1kΩ,1/16W
R1450		NRSA6AJ-332W	MG RESISTOR 3.3kΩ,1/16W	R2209		NRSA6AJ-102W	MG RESISTOR 1kΩ,1/16W
R1451		NRSA6AJ-332W	MG RESISTOR 3.3kΩ,1/16W	R2213		NRSA6AJ-222W	MG RESISTOR 2.2kΩ,1/16W
R1452		NRSA6AJ-332W	MG RESISTOR 3.3kΩ,1/16W	R2214		NRSA6AJ-103W	MG RESISTOR 10kΩ,1/16W
R1453		NRSA6AJ-332W	MG RESISTOR 3.3kΩ,1/16W	R2401		NRSA6AJ-820W	MG RESISTOR 82Ω,1/16W
R1458		NRSA6AJ-683W	MG RESISTOR 68kΩ,1/16W	R2402		NRSA6AJ-820W	MG RESISTOR 82Ω,1/16W
R1459		NRSA6AJ-102W	MG RESISTOR 1kΩ,1/16W	R2403		NRSA6AJ-820W	MG RESISTOR 82Ω,1/16W
R1460		NRSA6AJ-683W	MG RESISTOR 68kΩ,1/16W	R2404		NRSA6AJ-102W	MG RESISTOR 1kΩ,1/16W
R1461		NRSA6AJ-102W	MG RESISTOR 1kΩ,1/16W	R2405		NRSA6AJ-103W	MG RESISTOR 10kΩ,1/16W
R1464		NRSA6AJ-820W	MG RESISTOR 82Ω,1/16W	R2406		NRSA6AJ-113W	MG RESISTOR 11kΩ,1/16W
R1465		NRSA63J-0R0X	MG RESISTOR 0Ω,1/16W	R2601		NRSA6AJ-102W	MG RESISTOR 1kΩ,1/16W
R1466		NRSA6AJ-473W	MG RESISTOR 47kΩ,1/16W	R2602		NRSA6AJ-102W	MG RESISTOR 1kΩ,1/16W
R1467		NRSA6AJ-102W	MG RESISTOR 1kΩ,1/16W	R2603		NRSA6AJ-472W	MG RESISTOR 4.7kΩ,1/16W
R1468		NRSA6AJ-102W	MG RESISTOR 1kΩ,1/16W	R2604		NRSA6AJ-472W	MG RESISTOR 4.7kΩ,1/16W
R1469		NRSA6AJ-221W	MG RESISTOR 220Ω,1/16W	R2605		NRSA6AJ-102W	MG RESISTOR 1kΩ,1/16W
R1470		NRSA6AJ-221W	MG RESISTOR 220Ω,1/16W	R2606		NRSA6AJ-102W	MG RESISTOR 1kΩ,1/16W
R1471		NRSA6AJ-102W	MG RESISTOR 1kΩ,1/16W	R2607		NRSA6AJ-102W	MG RESISTOR 1kΩ,1/16W
R1474		NRSA6AJ-103W	MG RESISTOR 10kΩ,1/16W	R2608		NRSA6AJ-102W	MG RESISTOR 1kΩ,1/16W
R1475		NRSA6AJ-473W	MG RESISTOR 47kΩ,1/16W	R2609		NRSA6AJ-103W	MG RESISTOR 10kΩ,1/16W
R1476		NRSA6AJ-331W	MG RESISTOR 330Ω,1/16W	R2610		NRSA6AJ-103W	MG RESISTOR 10kΩ,1/16W
R1477		NRSA6AJ-472W	MG RESISTOR 4.7kΩ,1/16W	R2611		NRSA6AJ-103W	MG RESISTOR 10kΩ,1/16W
R1480		NRSA6AJ-104W	MG RESISTOR 100kΩ,1/16W	R2612		NRSA6AJ-103W	MG RESISTOR 10kΩ,1/16W
R1601		NRSA6AJ-681W	MG RESISTOR 680Ω,1/16W	R2613		NRSA6AJ-682W	MG RESISTOR 6.8kΩ,1/16W
R1602		NRSA6AJ-124W	MG RESISTOR 120kΩ,1/16W	R2614		NRSA6AJ-682W	MG RESISTOR 6.8kΩ,1/16W
R1603		NRSA6AJ-472W	MG RESISTOR 4.7kΩ,1/16W	R2615		NRSA6AJ-104W	MG RESISTOR 100kΩ,1/16W
R1604		NRSA6AJ-104W	MG RESISTOR 100kΩ,1/16W	R2616		NRSA6AJ-104W	MG RESISTOR 100kΩ,1/16W
R1605		NRV142F-R22X	CMF RESISTOR 0.22Ω,1/4W	R2621		NRSA6AJ-104W	MG RESISTOR 100kΩ,1/16W

#	△ REF No.	PART No.	PART NAME, DESCRIPTION	#	△ REF No.	PART No.	PART NAME, DESCRIPTION	
R2622		NRSA6AJ-104W	MG RESISTOR	100kΩ,1/16W	R3333	NRSA6AJ-223W	MG RESISTOR	22kΩ,1/16W
R2623		NRSA6AJ-473W	MG RESISTOR	47kΩ,1/16W	R3334	NRSA6AJ-103W	MG RESISTOR	10kΩ,1/16W
R2624		NRSA6AJ-473W	MG RESISTOR	47kΩ,1/16W	R3335	NRSA6AJ-103W	MG RESISTOR	10kΩ,1/16W
R2625		NRSA6AJ-682W	MG RESISTOR	6.8kΩ,1/16W	R3336	NRSA6AJ-103W	MG RESISTOR	10kΩ,1/16W
R2626		NRSA6AJ-682W	MG RESISTOR	6.8kΩ,1/16W	R3337	NRSA6AJ-105W	MG RESISTOR	1MΩ,1/16W
R2627		NRSA6AJ-103W	MG RESISTOR	10kΩ,1/16W	R3338	NRSA6AJ-473W	MG RESISTOR	47kΩ,1/16W
R2628		NRSA6AJ-103W	MG RESISTOR	10kΩ,1/16W	R3339	NRSA6AJ-473W	MG RESISTOR	47kΩ,1/16W
R2629		NRSA6AJ-103W	MG RESISTOR	10kΩ,1/16W	R3341	NRSA6AJ-223W	MG RESISTOR	22kΩ,1/16W
R2630		NRSA6AJ-103W	MG RESISTOR	10kΩ,1/16W	R3343	NRSA6AJ-102W	MG RESISTOR	1kΩ,1/16W
R2631		NRSA6AJ-472W	MG RESISTOR	4.7kΩ,1/16W	R3344	NRSA6AJ-823W	MG RESISTOR	82kΩ,1/16W
R2632		NRSA6AJ-472W	MG RESISTOR	4.7kΩ,1/16W	R3345	NRSA6AJ-105W	MG RESISTOR	1MΩ,1/16W
R2633		NRSA6AJ-681W	MG RESISTOR	680Ω,1/16W	R3346	NRSA6AJ-333W	MG RESISTOR	33kΩ,1/16W
R2634		NRSA6AJ-681W	MG RESISTOR	680Ω,1/16W	R3347	NRSA6AJ-103W	MG RESISTOR	10kΩ,1/16W
R2635		NRSA6AJ-332W	MG RESISTOR	3.3kΩ,1/16W	R3348	NRSA6AJ-223W	MG RESISTOR	22kΩ,1/16W
R2636		NRSA6AJ-332W	MG RESISTOR	3.3kΩ,1/16W	R3349	NRVA6AD-273W	CMF RESISTOR	27kΩ,1/16W
R3002		NRSA6AJ-105W	MG RESISTOR	1MΩ,1/16W	R3350	NRVA6AD-183W	CMF RESISTOR	18kΩ,1/16W
R3008		NRSA6AJ-100W	MG RESISTOR	10Ω,1/16W	R3351	NRVA6AD-121W	CMF RESISTOR	120Ω,1/16W
R3030		NRSA6AJ-682W	MG RESISTOR	6.8kΩ,1/16W	R3357	NRSA6AJ-103W	MG RESISTOR	10kΩ,1/16W
R3031		NRSA6AJ-472W	MG RESISTOR	4.7kΩ,1/16W	R3361	NRSA6AJ-0R0W	MG RESISTOR	0Ω,1/16W
R3032		NRSA6AJ-0R0W	MG RESISTOR	0Ω,1/16W	R3362	NRSA6AJ-471W	MG RESISTOR	470Ω,1/16W
R3052		NRSA6AJ-101W	MG RESISTOR	100Ω,1/16W	R3363	NRSA6AJ-102W	MG RESISTOR	1kΩ,1/16W
R3054		NRSA6AJ-331W	MG RESISTOR	330Ω,1/16W	R3364	NRSA6AJ-473W	MG RESISTOR	47kΩ,1/16W
R3056		NRSA6AJ-471W	MG RESISTOR	470Ω,1/16W	R3366	NRSA6AJ-562W	MG RESISTOR	5.6kΩ,1/16W
R3057		NRSA6AJ-101W	MG RESISTOR	100Ω,1/16W	R3367	NRSA6AJ-152W	MG RESISTOR	1.5kΩ,1/16W
R3058		NRSA6AJ-105W	MG RESISTOR	1MΩ,1/16W	R3379	NRSA6AJ-822W	MG RESISTOR	8.2kΩ,1/16W
R3059		NRSA6AJ-101W	MG RESISTOR	100Ω,1/16W	R3380	NRSA6AJ-822W	MG RESISTOR	8.2kΩ,1/16W
R3060		NRSA6AJ-105W	MG RESISTOR	1MΩ,1/16W	R3502	NRSA6AJ-103W	MG RESISTOR	10kΩ,1/16W
R3062		NRSA6AJ-124W	MG RESISTOR	120kΩ,1/16W	R3504	NRSA6AJ-152W	MG RESISTOR	1.5kΩ,1/16W
R3063		NRSA6AJ-124W	MG RESISTOR	120kΩ,1/16W	R3506	NRSA6AJ-471W	MG RESISTOR	470Ω,1/16W
R3101		NRSA6AJ-331W	MG RESISTOR	330Ω,1/16W	R3507	NRSA6AJ-103W	MG RESISTOR	10kΩ,1/16W
R3102		NRSA6AJ-103W	MG RESISTOR	10kΩ,1/16W	R3508	NRSA6AJ-272W	MG RESISTOR	2.7kΩ,1/16W
R3103		NRSA6AJ-104W	MG RESISTOR	100kΩ,1/16W	R3509	NRSA6AJ-331W	MG RESISTOR	330Ω,1/16W
R3105		NRSA6AJ-104W	MG RESISTOR	100kΩ,1/16W	R3510	NRSA6AJ-102W	MG RESISTOR	1kΩ,1/16W
R3106		NRSA6AJ-471W	MG RESISTOR	470Ω,1/16W	R3511	NRSA6AJ-152W	MG RESISTOR	1.5kΩ,1/16W
R3113		NRSA6AJ-394W	MG RESISTOR	390kΩ,1/16W	R3512	NRSA6AJ-123W	MG RESISTOR	12kΩ,1/16W
R3115		NRSA6AJ-472W	MG RESISTOR	4.7kΩ,1/16W	R3513	NRSA6AJ-680W	MG RESISTOR	68Ω,1/16W
R3117		NRSA6AJ-560W	MG RESISTOR	56Ω,1/16W	R3514	NRSA6AJ-102W	MG RESISTOR	1kΩ,1/16W
R3118		NRSA6AJ-560W	MG RESISTOR	56Ω,1/16W	R3515	NRSA6AJ-181W	MG RESISTOR	180Ω,1/16W
R3119		NRSA6AJ-560W	MG RESISTOR	56Ω,1/16W	R3516	NRSA6AJ-181W	MG RESISTOR	180Ω,1/16W
R3120		NRSA6AJ-560W	MG RESISTOR	56Ω,1/16W	R3517	NRSA6AJ-102W	MG RESISTOR	1kΩ,1/16W
R3121		NRSA6AJ-512W	MG RESISTOR	5.1kΩ,1/16W	R3518	NRSA6AJ-680W	MG RESISTOR	68Ω,1/16W
R3128		NRSA6AJ-512W	MG RESISTOR	5.1kΩ,1/16W	R3519	NRSA6AJ-123W	MG RESISTOR	12kΩ,1/16W
R3211		NRSA6AJ-272W	MG RESISTOR	2.7kΩ,1/16W	R3520	NRSA6AJ-152W	MG RESISTOR	1.5kΩ,1/16W
R3212		NRSA6AJ-473W	MG RESISTOR	47kΩ,1/16W	R3521	NRSA6AJ-100W	MG RESISTOR	10Ω,1/16W
R3221		NRSA6AJ-680W	MG RESISTOR	68Ω,1/16W	R3523	NRSA6AJ-473W	MG RESISTOR	47kΩ,1/16W
R3224		NRSA6AJ-101W	MG RESISTOR	100Ω,1/16W	R3524	NRSA6AJ-392W	MG RESISTOR	3.9kΩ,1/16W
R3236		NRSA6AJ-105W	MG RESISTOR	1MΩ,1/16W	R3701	NRVA6AD-561W	CMF RESISTOR	560Ω,1/16W
R3303		NRSA6AJ-391W	MG RESISTOR	390Ω,1/16W	R3702	NRVA6AD-472W	CMF RESISTOR	4.7kΩ,1/16W
R3304		NRSA6AJ-121W	MG RESISTOR	120Ω,1/16W	R3703	NRSA6AJ-101W	MG RESISTOR	100Ω,1/16W
R3307		NRSA6AJ-102W	MG RESISTOR	1kΩ,1/16W	R3704	NRVA6AD-272W	CMF RESISTOR	2.7kΩ,1/16W
R3308		NRSA6AJ-0R0W	MG RESISTOR	0Ω,1/16W	R3705	NRSA6AJ-561W	MG RESISTOR	560Ω,1/16W
R3310		NRSA6AJ-222W	MG RESISTOR	2.2kΩ,1/16W	R3706	NRSA6AJ-102W	MG RESISTOR	1kΩ,1/16W
R3312		NRSA6AJ-102W	MG RESISTOR	1kΩ,1/16W	R3708	NRSA6AJ-222W	MG RESISTOR	2.2kΩ,1/16W
R3313		NRSA6AJ-102W	MG RESISTOR	1kΩ,1/16W	R3709	NRSA6AJ-222W	MG RESISTOR	2.2kΩ,1/16W
R3314		NRSA6AJ-333W	MG RESISTOR	33kΩ,1/16W	R3710	NRSA6AJ-222W	MG RESISTOR	2.2kΩ,1/16W
R3315		NRSA6AJ-123W	MG RESISTOR	12kΩ,1/16W	R3711	NRSA6AJ-223W	MG RESISTOR	22kΩ,1/16W
R3316		NRSA6AJ-0R0W	MG RESISTOR	0Ω,1/16W	R3712	NRSA6AJ-332W	MG RESISTOR	3.3kΩ,1/16W
R3317		NRSA6AJ-222W	MG RESISTOR	2.2kΩ,1/16W	R3713	NRSA6AJ-101W	MG RESISTOR	100Ω,1/16W
R3318		NRSA6AJ-562W	MG RESISTOR	5.6kΩ,1/16W	R3714	NRVA6AD-331W	CMF RESISTOR	330Ω,1/16W
R3331		NRSA6AJ-222W	MG RESISTOR	2.2kΩ,1/16W	R3715	NRSA6AJ-561W	MG RESISTOR	560Ω,1/16W
R3332		NRSA6AJ-823W	MG RESISTOR	82kΩ,1/16W	R3716	NRSA6AJ-152W	MG RESISTOR	1.5kΩ,1/16W

#	△ REF No.	PART No.	PART NAME, DESCRIPTION	#	△ REF No.	PART No.	PART NAME, DESCRIPTION
R3717		NRSA6AJ-223W	MG RESISTOR 22kΩ,1/16W	R4811		NRSA6AJ-564W	MG RESISTOR 560kΩ,1/16W
R3718		NRSA6AJ-332W	MG RESISTOR 3.3kΩ,1/16W	R4812		NRSA6AJ-153W	MG RESISTOR 15kΩ,1/16W
R3719		NRSA6AJ-332W	MG RESISTOR 3.3kΩ,1/16W	R4814		NRSA6AJ-105W	MG RESISTOR 1MΩ,1/16W
R3720		NRSA6AJ-332W	MG RESISTOR 3.3kΩ,1/16W	R4815		NRSA6AJ-472W	MG RESISTOR 4.7kΩ,1/16W
R3721		NRSA63J-750X	MG RESISTOR 75Ω,1/16W	R4816		NRSA6AJ-185W	MG RESISTOR 1.8MΩ,1/16W
R3722		NRSA63J-750X	MG RESISTOR 75Ω,1/16W	R4817		NRSA6AJ-564W	MG RESISTOR 560kΩ,1/16W
R3723		NRSA63J-750X	MG RESISTOR 75Ω,1/16W	R4818		NRSA6AJ-0R0W	MG RESISTOR 0Ω,1/16W
R3724		NRSA6AJ-561W	MG RESISTOR 560Ω,1/16W	R4819		NRSA6AJ-103W	MG RESISTOR 10kΩ,1/16W
R3725		NRSA6AJ-561W	MG RESISTOR 560Ω,1/16W	R4820		NRSA6AJ-104W	MG RESISTOR 100kΩ,1/16W
R3726		NRSA6AJ-103W	MG RESISTOR 10kΩ,1/16W	R4821		NRSA6AJ-104W	MG RESISTOR 100kΩ,1/16W
R3727		NRSA6AJ-123W	MG RESISTOR 12kΩ,1/16W	R4822		NRSA6AJ-333W	MG RESISTOR 33kΩ,1/16W
R3728		NRSA6AJ-103W	MG RESISTOR 10kΩ,1/16W	R4823		NRSA6AJ-102W	MG RESISTOR 1kΩ,1/16W
R4201		NRSA6AJ-0R0W	MG RESISTOR 0Ω,1/16W	R4824		NRSA6AJ-472W	MG RESISTOR 4.7kΩ,1/16W
R4203		NRSA6AJ-102W	MG RESISTOR 1kΩ,1/16W	R4825		NRSA6AJ-183W	MG RESISTOR 18kΩ,1/16W
R4204		NRSA6AJ-102W	MG RESISTOR 1kΩ,1/16W	R4826		NRSA6AJ-333W	MG RESISTOR 33kΩ,1/16W
R4205		NRSA6AJ-102W	MG RESISTOR 1kΩ,1/16W	R4827		NRSA6AJ-122W	MG RESISTOR 1.2kΩ,1/16W
R4206		NRSA6AJ-0R0W	MG RESISTOR 0Ω,1/16W	R4851		NRSA6AJ-0R0W	MG RESISTOR 0Ω,1/16W
R4207		NRSA6AJ-243W	MG RESISTOR 24kΩ,1/16W	R4853		NRSA6AJ-271W	MG RESISTOR 270Ω,1/16W
R4301		NRSA6AJ-560W	MG RESISTOR 56Ω,1/16W	R4854		NRSA6AJ-103W	MG RESISTOR 10kΩ,1/16W
R4303		NRSA6AJ-0R0W	MG RESISTOR 0Ω,1/16W	R4856		NRSA63J-6R8X	MG RESISTOR 6.8Ω,1/16W
R4304		NRSA6AJ-333W	MG RESISTOR 33kΩ,1/16W	R4857		NRSA63J-6R8X	MG RESISTOR 6.8Ω,1/16W
R4305		NRSA6AJ-0R0W	MG RESISTOR 0Ω,1/16W	R4858		NRSA6AJ-333W	MG RESISTOR 33kΩ,1/16W
R4309		NRVA6AD-272W	CMF RESISTOR 2.7kΩ,1/16W	R4859		NRSA6AJ-0R0W	MG RESISTOR 0Ω,1/16W
R4311		NRVA6AD-272W	CMF RESISTOR 2.7kΩ,1/16W	R4860		NRSA6AJ-0R0W	MG RESISTOR 0Ω,1/16W
R4313		NRVA6AD-272W	CMF RESISTOR 2.7kΩ,1/16W	R4862		NRSA63J-6R8X	MG RESISTOR 6.8Ω,1/16W
R4315		NRVA6AD-750W	CMF RESISTOR 75Ω,1/16W	R4863		NRSA63J-6R8X	MG RESISTOR 6.8Ω,1/16W
R4316		NRSA6AJ-152W	MG RESISTOR 1.5kΩ,1/16W	R4864		NRSA6AJ-102W	MG RESISTOR 1kΩ,1/16W
R4317		NRVA6AD-620W	CMF RESISTOR 62Ω,1/16W	R4865		NRSA6AJ-102W	MG RESISTOR 1kΩ,1/16W
R4318		NRSA6AJ-152W	MG RESISTOR 1.5kΩ,1/16W	R4866		NRSA6AJ-102W	MG RESISTOR 1kΩ,1/16W
R4328		NRSA6AJ-152W	MG RESISTOR 1.5kΩ,1/16W	R4867		NRSA6AJ-102W	MG RESISTOR 1kΩ,1/16W
R4329		NRSA6AJ-682W	MG RESISTOR 6.8kΩ,1/16W	R4868		NRSA6AJ-0R0W	MG RESISTOR 0Ω,1/16W
R4330		NRSA6AJ-220W	MG RESISTOR 22Ω,1/16W	R4869		NRSA6AJ-0R0W	MG RESISTOR 0Ω,1/16W
R4333		NRSA6AJ-0R0W	MG RESISTOR 0Ω,1/16W	R4871		NRSA6AJ-0R0W	MG RESISTOR 0Ω,1/16W
R4334		NRVA6AD-221W	CMF RESISTOR 220Ω,1/16W	R5501		NRSA6AJ-0R0W	MG RESISTOR 0Ω,1/16W
R4335		NRSA6AJ-0R0W	MG RESISTOR 0Ω,1/16W	R5503		NRSA6AJ-0R0W	MG RESISTOR 0Ω,1/16W
R4338		NRSA6AJ-0R0W	MG RESISTOR 0Ω,1/16W	R5504		NRSA6AJ-0R0W	MG RESISTOR 0Ω,1/16W
R4339		NRSA6AJ-102W	MG RESISTOR 1kΩ,1/16W	R5505		NRSA6AJ-0R0W	MG RESISTOR 0Ω,1/16W
R4341		NRSA6AJ-0R0W	MG RESISTOR 0Ω,1/16W	R5506		NRSA6AJ-0R0W	MG RESISTOR 0Ω,1/16W
R4342		NRVA6AD-750W	CMF RESISTOR 75Ω,1/16W	R5507		NRSA6AJ-0R0W	MG RESISTOR 0Ω,1/16W
R4343		NRVA6AD-101W	CMF RESISTOR 100Ω,1/16W	R5509		NRSA6AJ-470W	MG RESISTOR 47Ω,1/16W
R4350		NRSA6AJ-0R0W	MG RESISTOR 0Ω,1/16W	R5510		NRSA6AJ-470W	MG RESISTOR 47Ω,1/16W
R4351		NRSA6AJ-0R0W	MG RESISTOR 0Ω,1/16W	R5511		NRSA6AJ-470W	MG RESISTOR 47Ω,1/16W
R4352		NRVA6AD-123W	CMF RESISTOR 12kΩ,1/16W	R5512		NRSA6AJ-102W	MG RESISTOR 1kΩ,1/16W
R4353		NRVA6AD-103W	CMF RESISTOR 10kΩ,1/16W	R5513		NRSA6AJ-102W	MG RESISTOR 1kΩ,1/16W
R4354		NRSA6AJ-272W	MG RESISTOR 2.7kΩ,1/16W	R5514		NRSA6AJ-102W	MG RESISTOR 1kΩ,1/16W
R4355		NRSA6AJ-272W	MG RESISTOR 2.7kΩ,1/16W	R5602		NRSA6AJ-0R0W	MG RESISTOR 0Ω,1/16W
R4357		NRSA6AJ-0R0W	MG RESISTOR 0Ω,1/16W	R6001		NRSA6AJ-224W	MG RESISTOR 220kΩ,1/16W
R4358		NRSA6AJ-0R0W	MG RESISTOR 0Ω,1/16W	R6002		NRSA6AJ-184W	MG RESISTOR 180kΩ,1/16W
R4359		NRSA6AJ-0R0W	MG RESISTOR 0Ω,1/16W	R6009		NRVA6AD-113W	CMF RESISTOR 11kΩ,1/16W
R4360		NRSA6AJ-0R0W	MG RESISTOR 0Ω,1/16W	R6010		NRSA6AJ-223W	MG RESISTOR 22kΩ,1/16W
R4361		NRSA6AJ-0R0W	MG RESISTOR 0Ω,1/16W	R6011		NRSA6AJ-223W	MG RESISTOR 22kΩ,1/16W
R4801		NRSA6AJ-104W	MG RESISTOR 100kΩ,1/16W	R6012		NRSA6AJ-472W	MG RESISTOR 4.7kΩ,1/16W
R4802		NRSA6AJ-103W	MG RESISTOR 10kΩ,1/16W	R6111		NRSA6AJ-4R7W	MG RESISTOR 4.7Ω,1/16W
R4803		NRSA6AJ-103W	MG RESISTOR 10kΩ,1/16W	R6112		NRVA6AD-223W	CMF RESISTOR 22kΩ,1/16W
R4804		NRSA6AJ-151W	MG RESISTOR 150Ω,1/16W	R6113		NRVA6AD-113W	CMF RESISTOR 11kΩ,1/16W
R4805		NRSA6AJ-103W	MG RESISTOR 10kΩ,1/16W	R6121		NRSA6AJ-4R7W	MG RESISTOR 4.7Ω,1/16W
R4806		NRSA6AJ-823W	MG RESISTOR 82kΩ,1/16W	R6122		NRVA6AD-183W	CMF RESISTOR 18kΩ,1/16W
R4807		NRSA6AJ-683W	MG RESISTOR 68kΩ,1/16W	R6123		NRVA6AD-472W	CMF RESISTOR 4.7kΩ,1/16W
R4808		NRSA6AJ-243W	MG RESISTOR 24kΩ,1/16W	R6125		NRSA6AJ-103W	MG RESISTOR 10kΩ,1/16W
R4809		NRSA6AJ-681W	MG RESISTOR 680Ω,1/16W	R6126		NRSA6AJ-152W	MG RESISTOR 1.5kΩ,1/16W
R4810		NRSA6AJ-103W	MG RESISTOR 10kΩ,1/16W	R6127		NRSA6AJ-473W	MG RESISTOR 47kΩ,1/16W

#	△ REF No.	PART No.	PART NAME, DESCRIPTION		#	△ REF No.	PART No.	PART NAME, DESCRIPTION	
R6131		NRSA6AJ-473W	MG RESISTOR	47kΩ, 1/16W	RA4303		NRZ0034-101W	NETWORK RESISTOR	100Ω
R6132		NRSA6AJ-4R7W	MG RESISTOR	4.7Ω, 1/16W	RA4304		NRZ0034-560W	NETWORK RESISTOR	56Ω
R6133		NRSA6AJ-243W	MG RESISTOR	24kΩ, 1/16W	RA4305		NRZ0034-560W	NETWORK RESISTOR	56Ω
R6134		NRVA6AD-302W	CMF RESISTOR	3kΩ, 1/16W	RA4306		NRZ0034-560W	NETWORK RESISTOR	56Ω
R6135		NRSA6AJ-123W	MG RESISTOR	12kΩ, 1/16W	C1003		NCFA1AZ-104W	CAPACITOR	0.1μF, 10V
R6136		NRSA6AJ-104W	MG RESISTOR	100kΩ, 1/16W	C1004		NCBA1CK-103W	CAPACITOR	0.01μF, 16V
R6137		NRSA6AJ-0R0W	MG RESISTOR	0Ω, 1/16W	C1008		NCBA1CK-103W	CAPACITOR	0.01μF, 16V
R6138		NRSA6AJ-103W	MG RESISTOR	10kΩ, 1/16W	C1009		NCFA1AZ-104W	CAPACITOR	0.1μF, 10V
R6141		NRSA6AJ-4R7W	MG RESISTOR	4.7Ω, 1/16W	C1010		NBE20JM-226X	T CAPACITOR	22μF, 6.3V
R6142		NRSA6AJ-473W	MG RESISTOR	47kΩ, 1/16W	C1011		NBP41CM-226X	T CAPACITOR	22μF, 16V
R6143		NRSA6AJ-562W	MG RESISTOR	5.6kΩ, 1/16W	C1012		NCFA1HZ-103W	CAPACITOR	0.01μF, 50V
R6144		NRSA6AJ-0R0W	MG RESISTOR	0Ω, 1/16W	C1013		NDCA1HJ-120W	CAPACITOR	12pF, 50V
R6145		NRSA6AJ-223W	MG RESISTOR	22kΩ, 1/16W	C1015		NCFA1HZ-103W	CAPACITOR	0.01μF, 50V
R6146		NRSA6AJ-473W	MG RESISTOR	47kΩ, 1/16W	C1016		NCFA1AZ-104W	CAPACITOR	0.1μF, 10V
R6151		NRSA6AJ-4R7W	MG RESISTOR	4.7Ω, 1/16W	C1019		NCFA1AZ-104W	CAPACITOR	0.1μF, 10V
R6152		NRVA6AD-123W	CMF RESISTOR	12kΩ, 1/16W	C1021		NCFA1AZ-104W	CAPACITOR	0.1μF, 10V
R6153		NRVA6AD-113W	CMF RESISTOR	11kΩ, 1/16W	C1022		NCFA1HZ-103W	CAPACITOR	0.01μF, 50V
R6161		NRVA6AJ-4R7W	MG RESISTOR	4.7Ω, 1/16W	C1023		NCFA1HZ-103W	CAPACITOR	0.01μF, 50V
R6162		NRVA6AD-683W	CMF RESISTOR	68kΩ, 1/16W	C1024		NCFA1HZ-103W	CAPACITOR	0.01μF, 50V
R6163		NRVA6AD-472W	CMF RESISTOR	4.7kΩ, 1/16W	C1026		NCFA1HZ-103W	CAPACITOR	0.01μF, 50V
R6165		NRSA6AJ-473W	MG RESISTOR	47kΩ, 1/16W	C1027		NCFA1HZ-103W	CAPACITOR	0.01μF, 50V
R6166		NRSA6AJ-273W	MG RESISTOR	27kΩ, 1/16W	C1028		NCFA1HZ-103W	CAPACITOR	0.01μF, 50V
R6167		NRSA6AJ-822W	MG RESISTOR	8.2kΩ, 1/16W	C1031		NCFA1HZ-103W	CAPACITOR	0.01μF, 50V
R6168		NRVA6AD-513W	CMF RESISTOR	51kΩ, 1/16W	C1032		NBE40JM-226X	T CAPACITOR	22μF, 6.3V
R6169		NRVA6AD-823W	CMF RESISTOR	82kΩ, 1/16W	C1034		NBE40JM-226X	T CAPACITOR	22μF, 6.3V
R6170		NRVA6AD-473W	CMF RESISTOR	47kΩ, 1/16W	C1037		NCFA1HZ-103W	CAPACITOR	0.01μF, 50V
R6171		NRSA6AJ-222W	MG RESISTOR, A,B,C,D	2.2kΩ, 1/16W	C1041		NCFA1AZ-104W	CAPACITOR	0.1μF, 10V
R6172		NRVA6AD-623W	CMF RESISTOR	62kΩ, 1/16W	C1042		NCFA1HZ-103W	CAPACITOR	0.01μF, 50V
R6174		NRVA6AD-823W	CMF RESISTOR	82kΩ, 1/16W	C1043		NCFA1AZ-104W	CAPACITOR	0.1μF, 10V
R6175		NRSA6AJ-333W	MG RESISTOR	33kΩ, 1/16W	C1301		NCBA1AK-104W	CAPACITOR	0.1μF, 10V
R6176		NRSA6AJ-333W	MG RESISTOR	33kΩ, 1/16W	C1302		NCBA1AK-104W	CAPACITOR	0.1μF, 10V
R6177		NRSA6AJ-102W	MG RESISTOR	1kΩ, 1/16W	C1303		NCBA1AK-104W	CAPACITOR	0.1μF, 10V
R6178		NRSA6AJ-222W	MG RESISTOR	2.2kΩ, 1/16W	C1304		NCBA1AK-104W	CAPACITOR	0.1μF, 10V
R6179		NRSA6AJ-272W	MG RESISTOR	2.7kΩ, 1/16W	C1305		NCBA1AK-104W	CAPACITOR	0.1μF, 10V
R6180		NRSA6AJ-823W	MG RESISTOR	82kΩ, 1/16W	C1306		NCBA1AK-104W	CAPACITOR	0.1μF, 10V
R6181		NRSA6AJ-104W	MG RESISTOR	100kΩ, 1/16W	C1307		NCBA1AK-104W	CAPACITOR	0.1μF, 10V
R6182		NRSA6AJ-473W	MG RESISTOR	47kΩ, 1/16W	C1401		NCFA1AZ-104W	CAPACITOR	0.1μF, 10V
R6201		NRSA6AJ-103W	MG RESISTOR	10kΩ, 1/16W	C1402		NCFA1AZ-104W	CAPACITOR	0.1μF, 10V
R6202		NRSA6AJ-181W	MG RESISTOR	180Ω, 1/16W	C1414		NCBA1CK-103W	CAPACITOR	0.01μF, 16V
R6203		NRSA6AJ-103W	MG RESISTOR	10kΩ, 1/16W	C1415		NCBA1CK-103W	CAPACITOR	0.01μF, 16V
R6205		NRSA6AJ-184W	MG RESISTOR	180kΩ, 1/16W	C1416		NCBA1CK-103W	CAPACITOR	0.01μF, 16V
R6206		NRSA6AJ-102W	MG RESISTOR	1kΩ, 1/16W	C1417		NCFA1AZ-104W	CAPACITOR	0.1μF, 10V
R6301		NRSA6AJ-104W	MG RESISTOR	100kΩ, 1/16W	C1418		NBE20JM-106X	T CAPACITOR	10μF, 6.3V
R6302		NRSA6AJ-104W	MG RESISTOR	100kΩ, 1/16W	C1419		NBE20JM-106X	T CAPACITOR	10μF, 6.3V
R6303		NRSA6AJ-224W	MG RESISTOR	220kΩ, 1/16W	C1420		NCBA1CK-223W	CAPACITOR	0.022μF, 16V
R6304		NRSA6AJ-183W	MG RESISTOR	18kΩ, 1/16W	C1421		NCBA1CK-223W	CAPACITOR	0.022μF, 16V
R6305		NRSA6AJ-104W	MG RESISTOR	100kΩ, 1/16W	C1422		NCBA1CK-223W	CAPACITOR	0.022μF, 16V
R6306		NRSA6AJ-104W	MG RESISTOR	100kΩ, 1/16W	C1423		NCBA1CK-223W	CAPACITOR	0.022μF, 16V
R6307		NRSA6AJ-102W	MG RESISTOR	1kΩ, 1/16W	C1424		NBE20JM-106X	T CAPACITOR	10μF, 6.3V
R6914		NRSA6AJ-0R0W	MG RESISTOR	0Ω, 1/16W	C1425		NCFA1AZ-104W	CAPACITOR	0.1μF, 10V
RA1001		NRZ0034-102W	NETWORK RESISTOR	1kΩ	C1601		NCBA1CK-103W	CAPACITOR	0.01μF, 16V
RA1002		NRZ0034-102W	NETWORK RESISTOR	1kΩ	C1602		NBE21AM-106X	T CAPACITOR	10μF, 10V
RA1003		NRZ0034-104W	NETWORK RESISTOR	100kΩ	C1603		NBE21AM-106X	T CAPACITOR	10μF, 10V
RA1004		NRZ0034-104W	NETWORK RESISTOR	100kΩ	C1605		NCBA1AK-104W	CAPACITOR	0.1μF, 10V
RA1005		NRZ0034-102W	NETWORK RESISTOR	1kΩ	C1606		NCBA1HK-152W	CAPACITOR	0.0015μF, 50V
RA1006		NRZ0034-102W	NETWORK RESISTOR	1kΩ	C1607		NCBA1AK-473W	CAPACITOR	0.047μF, 10V
RA1401		NRZ0034-473W	NETWORK RESISTOR	47kΩ	C1614		NBE21AM-106X	T CAPACITOR	10μF, 10V
RA1402		NRZ0034-102W	NETWORK RESISTOR	1kΩ	C1618		NCBA1HK-222W	CAPACITOR	0.0022μF, 50V
RA1403		NRZ0034-102W	NETWORK RESISTOR	1kΩ	C1619		NCBA1HK-222W	CAPACITOR	0.0022μF, 50V
RA4301		NRZ0034-101W	NETWORK RESISTOR	100Ω	C1620		NCBA1HK-222W	CAPACITOR	0.0022μF, 50V
RA4302		NRZ0034-101W	NETWORK RESISTOR	100Ω	C1621		NCB21AK-105X	CAPACITOR	1μF, 10V

#	△ REF No.	PART No.	PART NAME, DESCRIPTION	#	△ REF No.	PART No.	PART NAME, DESCRIPTION
C1622		NCBA1CK-223W	CAPACITOR 0.022μF,16V	C3006		NCB31EK-103X	CAPACITOR 0.01μF,25V
C1623		NCBA1AK-473W	CAPACITOR 0.047μF,10V	C3009		NDCA1HJ-100W	CAPACITOR 10pF,50V
C1624		NCB31EK-103X	CAPACITOR 0.01μF,25V	C3010		NDCA1HJ-100W	CAPACITOR 10pF,50V
C1625		NCBA1AK-473W	CAPACITOR 0.047μF,10V	C3011		NCFA1AZ-104W	CAPACITOR 0.1μF,10V
C1626		NCBA1HK-331W	CAPACITOR 330pF,50V	C3012		NCFA1AZ-104W	CAPACITOR 0.1μF,10V
C1627		NCBA1CK-822W	CAPACITOR 0.0082μF,16V	C3022		NCFA1AZ-104W	CAPACITOR 0.1μF,10V
C1628		NCB21CK-224X	CAPACITOR 0.22μF,16V	C3023		NCFA1AZ-104W	CAPACITOR 0.1μF,10V
C1632		NBE21AM-106X	T CAPACITOR 10μF,10V	C3027		NCFA1AZ-104W	CAPACITOR 0.1μF,10V
C1633		NCF21CZ-684X	CAPACITOR 0.68μF,16V	C3028		NCFA1AZ-104W	CAPACITOR 0.1μF,10V
C1635		NCBA1AK-104W	CAPACITOR 0.1μF,10V	C3035		NCFA1AZ-104W	CAPACITOR 0.1μF,10V
C1641		NCB31AK-474X	CAPACITOR 0.47μF,10V	C3037		NCFA1AZ-104W	CAPACITOR 0.1μF,10V
C2101		NBE20JM-106X	T CAPACITOR 10μF,6.3V	C3038		NCBA1CK-103W	CAPACITOR 0.01μF,16V
C2103		NBE20JM-106X	T CAPACITOR 10μF,6.3V	C3040		NCFA1AZ-104W	CAPACITOR 0.1μF,10V
C2201		NCBA1AK-104W	CAPACITOR 0.1μF,10V	C3041		NCBA1CK-103W	CAPACITOR 0.01μF,16V
C2202		NCBA1AK-104W	CAPACITOR 0.1μF,10V	C3042		NCB30JK-474X	CAPACITOR 0.47μF,6.3V
C2203		NCB11CK-105X	CAPACITOR 1μF,16V	C3047		NBE20JM-106X	T CAPACITOR 10μF,6.3V
C2205		NCB11CK-105X	CAPACITOR 1μF,16V	C3048		NCFA1AZ-104W	CAPACITOR 0.1μF,10V
C2207		NCB30JK-105X	CAPACITOR 1μF,6.3V	C3049		NCFA1AZ-104W	CAPACITOR 0.1μF,10V
C2208		NCB30JK-105X	CAPACITOR 1μF,6.3V	C3050		NCFA1AZ-104W	CAPACITOR 0.1μF,10V
C2209		NCBA1AK-104W	CAPACITOR 0.1μF,10V	C3101		NDCA1EJ-271W	CAPACITOR 270pF,25V
C2210		NCBA1CK-153W	CAPACITOR 0.015μF,16V	C3102		NCB30JK-105X	CAPACITOR 1μF,6.3V
C2211		NCBA1AK-333W	CAPACITOR 0.033μF,10V	C3103		NCB30JK-105X	CAPACITOR 1μF,6.3V
C2212		NCBA1AK-104W	CAPACITOR 0.1μF,10V	C3104		NCB30JK-105X	CAPACITOR 1μF,6.3V
C2213		NCBA1AK-104W	CAPACITOR 0.1μF,10V	C3105		NCFA1AZ-104W	CAPACITOR 0.1μF,10V
C2214		NCB11CK-105X	CAPACITOR 1μF,16V	C3106		NBE20JM-106X	T CAPACITOR 10μF,6.3V
C2216		NCB30JK-105X	CAPACITOR 1μF,6.3V	C3107		NBE20JM-106X	T CAPACITOR 10μF,6.3V
C2217		NCB30JK-105X	CAPACITOR 1μF,6.3V	C3108		NCFA1AZ-104W	CAPACITOR 0.1μF,10V
C2401		NBE20JM-106X	T CAPACITOR 10μF,6.3V	C3109		NCFA1AZ-104W	CAPACITOR 0.1μF,10V
C2402		NBE20JM-106X	T CAPACITOR 10μF,6.3V	C3203		NBE20JM-106X	T CAPACITOR 10μF,6.3V
C2601		NCBA1HK-102W	CAPACITOR 0.001μF,50V	C3204		NCFA1AZ-104W	CAPACITOR 0.1μF,10V
C2602		NCBA1HK-102W	CAPACITOR 0.001μF,50V	C3205		NBE20JM-106X	T CAPACITOR 10μF,6.3V
C2603		NCBA1EK-682W	CAPACITOR 0.0068μF,25V	C3207		NBE20JM-106X	T CAPACITOR 10μF,6.3V
C2604		NCBA1EK-682W	CAPACITOR 0.0068μF,25V	C3208		NCFA1AZ-104W	CAPACITOR 0.1μF,10V
C2605		NCBA1AK-333W	CAPACITOR 0.033μF,10V	C3212		NCFA1AZ-104W	CAPACITOR 0.1μF,10V
C2606		NCBA1AK-333W	CAPACITOR 0.033μF,10V	C3213		NCFA1AZ-104W	CAPACITOR 0.1μF,10V
C2607		NBP21CM-105X	T CAPACITOR 1μF,16V	C3214		NCFA1AZ-104W	CAPACITOR 0.1μF,10V
C2608		NBP21CM-105X	T CAPACITOR 1μF,16V	C3215		NCFA1AZ-104W	CAPACITOR 0.1μF,10V
C2609		NBP21VM-104X	T CAPACITOR 0.1μF,35V	C3217		NCFA1AZ-104W	CAPACITOR 0.1μF,10V
C2610		NBP21VM-104X	T CAPACITOR 0.1μF,35V	C3218		NCFA1AZ-104W	CAPACITOR 0.1μF,10V
C2617		NCBA1AK-104W	CAPACITOR 0.1μF,10V	C3219		NCFA1AZ-104W	CAPACITOR 0.1μF,10V
C2618		NCBA1AK-104W	CAPACITOR 0.1μF,10V	C3220		NCFA1AZ-104W	CAPACITOR 0.1μF,10V
C2619		NCBA1CK-103W	CAPACITOR 0.01μF,16V	C3221		NCBA1CK-103W	CAPACITOR 0.01μF,16V
C2620		NCBA1CK-103W	CAPACITOR 0.01μF,16V	C3222		NCFA1AZ-104W	CAPACITOR 0.1μF,10V
C2622		NBE20JM-106X	T CAPACITOR 10μF,6.3V	C3223		NCFA1AZ-104W	CAPACITOR 0.1μF,10V
C2623		NCB11CK-105X	CAPACITOR 1μF,16V	C3224		NCFA1AZ-104W	CAPACITOR 0.1μF,10V
C2624		NCBA1EK-562W	CAPACITOR 0.0056μF,25V	C3231		NCBA1CK-103W	CAPACITOR 0.01μF,16V
C2625		NCBA1EK-562W	CAPACITOR 0.0056μF,25V	C3232		NCBA1CK-103W	CAPACITOR 0.01μF,16V
C2626		NCBA1EK-562W	CAPACITOR 0.0056μF,25V	C3301		NBE20JM-106X	T CAPACITOR 10μF,6.3V
C2627		NCBA1EK-562W	CAPACITOR 0.0056μF,25V	C3302		NCBA1CK-103W	CAPACITOR 0.01μF,16V
C2628		NCB31CK-473X	CAPACITOR 0.047μF,16V	C3303		NBE20JM-106X	T CAPACITOR 10μF,6.3V
C2629		NCB31CK-473X	CAPACITOR 0.047μF,16V	C3304		NCBA1CK-103W	CAPACITOR 0.01μF,16V
C2630		NCBA1CK-123W	CAPACITOR 0.012μF,16V	C3305		NBE20JM-106X	T CAPACITOR 10μF,6.3V
C2631		NCBA1CK-123W	CAPACITOR 0.012μF,16V	C3306		NCBA1CK-103W	CAPACITOR 0.01μF,16V
C2632		NCBA1HK-332W	CAPACITOR 0.0033μF,50V	C3307		NBE20JM-106X	T CAPACITOR 10μF,6.3V
C2633		NCBA1HK-332W	CAPACITOR 0.0033μF,50V	C3308		NCBA1CK-103W	CAPACITOR 0.01μF,16V
C2634		NCBA1HK-332W	CAPACITOR 0.0033μF,50V	C3309		NCBA1CK-103W	CAPACITOR 0.01μF,16V
C2635		NCBA1HK-332W	CAPACITOR 0.0033μF,50V	C3310		NCBA1CK-103W	CAPACITOR 0.01μF,16V
C2636		NCBA1EK-682W	CAPACITOR 0.0068μF,25V	C3311		NDCA1HJ-151W	CAPACITOR 150pF,50V
C2637		NCBA1EK-682W	CAPACITOR 0.0068μF,25V	C3313		NCBA1CK-103W	CAPACITOR 0.01μF,16V
C3003		NBE20JM-106X	T CAPACITOR 10μF,6.3V	C3314		NCBA1HK-102W	CAPACITOR 0.001μF,50V
C3004		NBE20JM-106X	T CAPACITOR 10μF,6.3V	C3316		NCBA1AK-104W	CAPACITOR 0.1μF,10V

# ▲ REF No.	PART No.	PART NAME, DESCRIPTION		# ▲ REF No.	PART No.	PART NAME, DESCRIPTION	
C3317	NCBA1CK-103W	CAPACITOR	0.01μF,16V	C3709	NDCA1HJ-150W	CAPACITOR	15pF,50V
C3318	NCBA1CK-103W	CAPACITOR	0.01μF,16V	C3710	NCBA1CK-103W	CAPACITOR	0.01μF,16V
C3319	NCBA1AK-104W	CAPACITOR	0.1μF,10V	C3711	NBE20JM-226X	T CAPACITOR	22μF,6.3V
C3320	NCB30JK-105X	CAPACITOR	1μF,6.3V	C3712	NCFA1AZ-104W	CAPACITOR	0.1μF,10V
C3321	NCBA1CK-103W	CAPACITOR	0.01μF,16V	C3713	NBE20JM-106X	T CAPACITOR	10μF,6.3V
C3322	NCBA1AK-683W	CAPACITOR	0.068μF,10V	C3714	NBN60GM-107X	T CAPACITOR	100μF,4.0V
C3323	NCB30JK-105X	CAPACITOR	1μF,6.3V	C4201	NBN60GM-107X	T CAPACITOR	100μF,4.0V
C3324	NCBA1AK-333W	CAPACITOR	0.033μF,10V	C4202	NCBA1AK-104W	CAPACITOR	0.1μF,10V
C3326	NCBA1AK-104W	CAPACITOR	0.1μF,10V	C4203	NCB30JK-105X	CAPACITOR	1μF,6.3V
C3327	NCB30JK-105X	CAPACITOR	1μF,6.3V	C4204	NCBA1AK-104W	CAPACITOR	0.1μF,10V
C3328	NCB30JK-105X	CAPACITOR	1μF,6.3V	C4205	NCB21CK-105X	CAPACITOR	1μF,16V
C3331	NCFA1AZ-104W	CAPACITOR	0.1μF,10V	C4206	NCBA1AK-104W	CAPACITOR	0.1μF,10V
C3332	NCBA1AK-104W	CAPACITOR	0.1μF,10V	C4207	NCBA1AK-104W	CAPACITOR	0.1μF,10V
C3333	NCBA1AK-104W	CAPACITOR	0.1μF,10V	C4209	NCBA1AK-104W	CAPACITOR	0.1μF,10V
C3334	NCBA1CK-103W	CAPACITOR	0.01μF,16V	C4210	NCB21CK-105X	CAPACITOR	1μF,16V
C3335	NDCA1HJ-100W	CAPACITOR	10pF,50V	C4211	NCBA1AK-104W	CAPACITOR	0.1μF,10V
C3336	NCBA1AK-104W	CAPACITOR	0.1μF,10V	C4212	NCBA1AK-104W	CAPACITOR	0.1μF,10V
C3337	NCBA1CK-103W	CAPACITOR	0.01μF,16V	C4213	NCBA1AK-104W	CAPACITOR	0.1μF,10V
C3501	NCBA1HK-122W	CAPACITOR	0.0012μF,50V	C4214	NCBA1AK-104W	CAPACITOR	0.1μF,10V
C3502	NCBA1AK-104W	CAPACITOR	0.1μF,10V	C4215	NCBA1AK-104W	CAPACITOR	0.1μF,10V
C3503	NCBA1HK-102W	CAPACITOR	0.001μF,50V	C4216	NCBA1AK-104W	CAPACITOR	0.1μF,10V
C3504	NCBA1CK-103W	CAPACITOR	0.01μF,16V	C4217	NCBA1AK-104W	CAPACITOR	0.1μF,10V
C3505	NDCA1HJ-470W	CAPACITOR	47pF,50V	C4301	NCBA1AK-104W	CAPACITOR	0.1μF,10V
C3506	NCBA1CK-103W	CAPACITOR	0.01μF,16V	C4302	NCBA1AK-104W	CAPACITOR	0.1μF,10V
C3507	NCBA1HK-681W	CAPACITOR	680pF,50V	C4303	NCBA1AK-104W	CAPACITOR	0.1μF,10V
C3508	NBE20JM-106X	T CAPACITOR	10μF,6.3V	C4304	NCBA1AK-104W	CAPACITOR	0.1μF,10V
C3509	NCBA1CK-103W	CAPACITOR	0.01μF,16V	C4305	NBE20JM-106X	T CAPACITOR	10μF,6.3V
C3510	NCBA1CK-103W	CAPACITOR	0.01μF,16V	C4306	NCBA1AK-104W	CAPACITOR	0.1μF,10V
C3511	NCBA1CK-103W	CAPACITOR	0.01μF,16V	C4307	NBE20JM-106X	T CAPACITOR	10μF,6.3V
C3512	NCBA1CK-103W	CAPACITOR	0.01μF,16V	C4308	NCBA1AK-104W	CAPACITOR	0.1μF,10V
C3513	NCBA1CK-103W	CAPACITOR	0.01μF,16V	C4309	NCBA1AK-104W	CAPACITOR	0.1μF,10V
C3514	NCBA1CK-103W	CAPACITOR	0.01μF,16V	C4310	NBE20JM-106X	T CAPACITOR	10μF,6.3V
C3515	NCBA1CK-103W	CAPACITOR	0.01μF,16V	C4311	NBE40JM-226X	T CAPACITOR	22μF,6.3V
C3516	NBE20JM-106X	T CAPACITOR	10μF,6.3V	C4312	NCBA1AK-104W	CAPACITOR	0.1μF,10V
C3517	NCBA1HK-152W	CAPACITOR	0.0015μF,50V	C4314	NCBA1AK-104W	CAPACITOR	0.1μF,10V
C3518	NBE20JM-106X	T CAPACITOR	10μF,6.3V	C4315	NCBA1AK-104W	CAPACITOR	0.1μF,10V
C3519	NDCA1HJ-330W	CAPACITOR	33pF,50V	C4316	NCBA1AK-104W	CAPACITOR	0.1μF,10V
C3520	NCBA1CK-103W	CAPACITOR	0.01μF,16V	C4317	NCBA1AK-104W	CAPACITOR	0.1μF,10V
C3521	NDCA1HJ-220W	CAPACITOR	22pF,50V	C4318	NCBA1AK-104W	CAPACITOR	0.1μF,10V
C3522	NCBA1CK-103W	CAPACITOR	0.01μF,16V	C4319	NCBA1AK-104W	CAPACITOR	0.1μF,10V
C3523	NCB21AK-105X	CAPACITOR	1μF,10V	C4320	NCBA1AK-104W	CAPACITOR	0.1μF,10V
C3524	NCB21AK-105X	CAPACITOR	1μF,10V	C4321	NCBA1AK-104W	CAPACITOR	0.1μF,10V
C3525	NDCA1HJ-220W	CAPACITOR	22pF,50V	C4322	NCBA1AK-104W	CAPACITOR	0.1μF,10V
C3526	NCBA1CK-103W	CAPACITOR	0.01μF,16V	C4323	NCBA1AK-104W	CAPACITOR	0.1μF,10V
C3527	NCBA1CK-103W	CAPACITOR	0.01μF,16V	C4324	NCBA1AK-104W	CAPACITOR	0.1μF,10V
C3528	NDCA1HJ-330W	CAPACITOR	33pF,50V	C4325	NCBA1AK-104W	CAPACITOR	0.1μF,10V
C3529	NBE20JM-106X	T CAPACITOR	10μF,6.3V	C4326	NCBA1AK-104W	CAPACITOR	0.1μF,10V
C3530	NCBA1HK-152W	CAPACITOR	0.0015μF,50V	C4327	NCBA1AK-104W	CAPACITOR	0.1μF,10V
C3531	NCBA1CK-103W	CAPACITOR	0.01μF,16V	C4328	NCBA1AK-104W	CAPACITOR	0.1μF,10V
C3532	NBE40JM-226X	T CAPACITOR	22μF,6.3V	C4329	NCBA1AK-104W	CAPACITOR	0.1μF,10V
C3533	NCBA1CK-103W	CAPACITOR	0.01μF,16V	C4330	NCBA1AK-104W	CAPACITOR	0.1μF,10V
C3534	NBE40JM-226X	T CAPACITOR	22μF,6.3V	C4331	NCBA1AK-104W	CAPACITOR	0.1μF,10V
C3535	NBE40JM-226X	T CAPACITOR	22μF,6.3V	C4332	NCBA1AK-104W	CAPACITOR	0.1μF,10V
C3701	NBE20JM-106X	T CAPACITOR	10μF,6.3V	C4333	NCBA1AK-104W	CAPACITOR	0.1μF,10V
C3702	NCB30JK-105X	CAPACITOR	1μF,6.3V	C4335	NBE20JM-106X	T CAPACITOR	10μF,6.3V
C3703	NDCA1HJ-820W	CAPACITOR	82pF,50V	C4336	NDCA1HJ-120W	CAPACITOR	12pF,50V
C3704	NDCA1HJ-150W	CAPACITOR	15pF,50V	C4337	NCBA1AK-104W	CAPACITOR	0.1μF,10V
C3705	NCB30JK-105X	CAPACITOR	1μF,6.3V	C4338	NCBA1AK-104W	CAPACITOR	0.1μF,10V
C3706	NCB30JK-105X	CAPACITOR	1μF,6.3V	C4339	NBE20JM-106X	T CAPACITOR	10μF,6.3V
C3707	NBE20JM-106X	T CAPACITOR	10μF,6.3V	C4340	NCBA1AK-104W	CAPACITOR	0.1μF,10V
C3708	NDCA1HJ-101W	CAPACITOR	100pF,50V	C4342	NCBA1AK-104W	CAPACITOR	0.1μF,10V

#	△ REF No.	PART No.	PART NAME, DESCRIPTION	#	△ REF No.	PART No.	PART NAME, DESCRIPTION	
C4343		NCBA1AK-104W	CAPACITOR	0.1μF,10V	C6005	NCB31CK-104X	CAPACITOR	0.1μF,16V
C4344		NCBA1AK-104W	CAPACITOR	0.1μF,10V	C6006	NCB31CK-473X	CAPACITOR	0.047μF,16V
C4345		NCBA1AK-104W	CAPACITOR	0.1μF,10V	C6007	NCF21CZ-105X	CAPACITOR	1μF,16V
C4346		NCBA1AK-104W	CAPACITOR	0.1μF,10V	C6008	NCB21CK-105X	CAPACITOR	1μF,16V
C4347		NCBA1AK-104W	CAPACITOR	0.1μF,10V	C6009	NCBA1CK-103W	CAPACITOR	0.01μF,16V
C4351		NCB30JK-105X	CAPACITOR	1μF,6.3V	C6010	NCF21CZ-105X	CAPACITOR	1μF,16V
C4352		NBE20JM-106X	T CAPACITOR	10μF,6.3V	C6011	NCB31CK-104X	CAPACITOR	0.1μF,16V
C4353		NCBA1AK-104W	CAPACITOR	0.1μF,10V	C6012	NCBA1HK-272W	CAPACITOR	0.0027μF,50V
C4801		NBE20JM-106X	T CAPACITOR	10μF,6.3V	C6013	NCB31CK-104X	CAPACITOR	0.1μF,16V
C4802		NCBA1AK-104W	CAPACITOR	0.1μF,10V	C6014	NCBA1HK-561W	CAPACITOR	560pF,50V
C4803		NBE20JM-106X	T CAPACITOR	10μF,6.3V	C6015	NCBA1HK-561W	CAPACITOR	560pF,50V
C4804		NCBA1AK-104W	CAPACITOR	0.1μF,10V	C6016	NCBA1CK-103W	CAPACITOR	0.01μF,16V
C4805		NDCA1HJ-101W	CAPACITOR	100pF,50V	C6017	NDCA1HJ-101W	CAPACITOR	100pF,50V
C4806		NCBA1AK-104W	CAPACITOR	0.1μF,10V	C6018	NBE20JM-106X	T CAPACITOR	10μF,6.3V
C4808		NCB30JK-105X	CAPACITOR	1μF,6.3V	C6019	NCF21CZ-105X	CAPACITOR	1μF,16V
C4809		NCBA1AK-104W	CAPACITOR	0.1μF,10V	C6111	NCB21CK-105X	CAPACITOR	1μF,16V
C4810		NCBA1CK-103W	CAPACITOR	0.01μF,16V	C6113	NCB10JK-106X	CAPACITOR	10μF,6.3V
C4811		NCBA1CK-103W	CAPACITOR	0.01μF,16V	C6114	NCBA1HK-102W	CAPACITOR	0.001μF,50V
C4812		NCBA1AK-104W	CAPACITOR	0.1μF,10V	C6121	NCB21CK-105X	CAPACITOR	1μF,16V
C4813		NCBA1AK-104W	CAPACITOR	0.1μF,10V	C6123	NCB10JK-106X	CAPACITOR	10μF,6.3V
C4814		NCBA1AK-104W	CAPACITOR	0.1μF,10V	C6124	NCBA1HK-102W	CAPACITOR	0.001μF,50V
C4815		NDC31HJ-331X	CAPACITOR	330pF,50V	C6125	NBE20JM-106X	T CAPACITOR	10μF,6.3V
C4818		NCBA1AK-104W	CAPACITOR	0.1μF,10V	C6126	NCB21CK-105X	CAPACITOR	1μF,16V
C4819		NCB30JK-105X	CAPACITOR	1μF,6.3V	C6127	NCB21CK-105X	CAPACITOR	1μF,16V
C4821		NCBA1AK-104W	CAPACITOR	0.1μF,10V	C6131	NCB21CK-105X	CAPACITOR	1μF,16V
C4851		NBE20JM-106X	T CAPACITOR	10μF,6.3V	C6132	NCB21CK-105X	CAPACITOR	1μF,16V
C4852		NCBA1AK-104W	CAPACITOR	0.1μF,10V	C6133	NCB31CK-683X	CAPACITOR	0.068μF,16V
C4853		NBE21AM-106X	T CAPACITOR	10μF,10V	C6141	NCB21CK-105X	CAPACITOR	1μF,16V
C4854		NBE21AM-106X	T CAPACITOR	10μF,10V	C6142	NCB21CK-105X	CAPACITOR	1μF,16V
C4855		NCBA1AK-104W	CAPACITOR	0.1μF,10V	C6143	NCB21CK-224X	CAPACITOR	0.22μF,16V
C4858		NDCA1HJ-680W	CAPACITOR	68pF,50V	C6151	NCB21CK-105X	CAPACITOR	1μF,16V
C4859		NCBA1HK-102W	CAPACITOR	0.001μF,50V	C6153	NCB10JK-106X	CAPACITOR	10μF,6.3V
C4860		NCBA1HK-102W	CAPACITOR	0.001μF,50V	C6154	NCBA1EK-472W	CAPACITOR	0.0047μF,25V
C4861		NCBA1HK-102W	CAPACITOR	0.001μF,50V	C6155	NCB30JK-105X	CAPACITOR	1μF,6.3V
C4862		NCBA1HK-102W	CAPACITOR	0.001μF,50V	C6161	NCB21CK-105X	CAPACITOR	1μF,16V
C4864		NBE20JM-106X	T CAPACITOR	10μF,6.3V	C6162	NCB11EK-105X	CAPACITOR	1μF,25V
C4865		NCBA1AK-104W	CAPACITOR	0.1μF,10V	C6163	NCBA1HK-102W	CAPACITOR	0.001μF,50V
C5501		NCFA1AZ-104W	CAPACITOR	0.1μF,10V	C6164	NCBA1CK-103W	CAPACITOR	0.01μF,16V
C5503		NCFA1AZ-104W	CAPACITOR	0.1μF,10V	C6165	NCB21CK-105X	CAPACITOR,A,B,C,D	1μF,16V
C5504		NCFA1AZ-104W	CAPACITOR	0.1μF,10V	C6167	NCB21CK-105X	CAPACITOR	1μF,16V
C5505		NCFA1AZ-104W	CAPACITOR	0.1μF,10V	C6168	NCB11EK-105X	CAPACITOR	1μF,25V
C5506		NBE40GM-476X	T CAPACITOR	47μF,4.0V	C6169	NCB21CK-105X	CAPACITOR	1μF,16V
C5507		NCFA1AZ-104W	CAPACITOR	0.1μF,10V	C6171	NCB21CK-105X	CAPACITOR	1μF,16V
C5508		NCFA1AZ-104W	CAPACITOR	0.1μF,10V	C6173	NCB21CK-105X	CAPACITOR	1μF,16V
C5509		NCFA1AZ-104W	CAPACITOR	0.1μF,10V	C6174	NCB21CK-105X	CAPACITOR	1μF,16V
C5510		NBP21VM-105X	T CAPACITOR	1μF,35V	C6175	NCB21CK-105X	CAPACITOR	1μF,16V
C5511		NBP21DM-475X	T CAPACITOR	4.7μF,20V	C6201	NEA71CM-106X	E CAPACITOR	10μF,16V
C5512		NBE21AM-106X	T CAPACITOR	10μF,10V	C6301	NCBA1CK-103W	CAPACITOR	0.01μF,16V
C5513		NCB31CK-104X	CAPACITOR	0.1μF,16V	C6401	NCB21CK-105X	CAPACITOR	1μF,16V
C5514		NCFA1AZ-104W	CAPACITOR	0.1μF,10V	C6402	NCB21CK-105X	CAPACITOR	1μF,16V
C5515		NCFA1AZ-104W	CAPACITOR	0.1μF,10V	L1001	NQL315K-100X	COIL	10μH
C5516		NCFA1AZ-104W	CAPACITOR	0.1μF,10V	L1002	NQL315K-100X	COIL	10μH
C5517		NCB31CK-104X	CAPACITOR	0.1μF,16V	L1003	NQL315K-100X	COIL	10μH
C5518		NCBA1AK-104W	CAPACITOR	0.1μF,10V	L1401	NQL034K-100X	COIL	10μH
C5519		NCFA1AZ-104W	CAPACITOR	0.1μF,10V	L1602	NQL315M-1R0X	COIL	1μH
C5601		NCBA1AK-104W	CAPACITOR	0.1μF,10V	L2101	NQL315K-100X	COIL	10μH
C5602		NCBA1AK-104W	CAPACITOR	0.1μF,10V	L3001	NQR0129-002X	FERRITE BEAD	
C6001		NCB21CK-105X	CAPACITOR	1μF,16V	L3002	NQR0129-002X	FERRITE BEAD	
C6002		NCB21CK-105X	CAPACITOR	1μF,16V	L3004	NQR0129-002X	FERRITE BEAD	
C6003		NEA71CM-106X	E CAPACITOR	10μF,16V	L3005	NQR0129-002X	FERRITE BEAD	
C6004		NCB31CK-104X	CAPACITOR	0.1μF,16V	L3101	NRSA63J-0R0X	MG RESISTOR	0Ω,1/16W

#	△ REF No.	PART No.	PART NAME, DESCRIPTION	#	△ REF No.	PART No.	PART NAME, DESCRIPTION
	Q7618	DTC144EE	TRANSISTOR,E,F,G		R7670	NRSA02J-122X	MG RESISTOR 1.2kΩ,1/10W
		or RN1104	TRANSISTOR,E,F,G		R7672	NRSA63J-0R0X	MG RESISTOR,A,B,C,D 0Ω,1/16W
		or UN9213J	TRANSISTOR,E,F,G		R7673	NRSA63J-223X	MG RESISTOR,E,F,G 22kΩ,1/16W
	Q7619	UMZ1N	PAIR TRANSISTOR,E,F,G		R7674	NRSA63J-333X	MG RESISTOR,E,F,G 33kΩ,1/16W
	D7101	MA111	DIODE,A,B,C,D		R7675	NRSA63J-103X	MG RESISTOR,A,B,C,D 10kΩ,1/16W
	D7601	RB471E	SB DIODE		R7677	NRSA63J-223X	MG RESISTOR,E,F,G 22kΩ,1/16W
	D7603	MA111	DIODE,E,F,G		R7678	NRSA63J-223X	MG RESISTOR,E,F,G 22kΩ,1/16W
	R2	NRSA63J-103X	MG RESISTOR 10kΩ,1/16W		R7679	NRSA63J-822X	MG RESISTOR,E,F,G 8.2kΩ,1/16W
	R4	NRSA63J-152X	MG RESISTOR 1.5kΩ,1/16W		R7681	NRSA63J-0R0X	MG RESISTOR,A,B,C,D 0Ω,1/16W
	R5	NRSA63J-182X	MG RESISTOR 1.8kΩ,1/16W			NRSA63J-331X	MG RESISTOR,E,F,G 330Ω,1/16W
	R6	NRSA63J-272X	MG RESISTOR 2.7kΩ,1/16W		R7685	NRSA63J-392X	MG RESISTOR,E,F,G 3.9kΩ,1/16W
	R7	NRSA63J-392X	MG RESISTOR 3.9kΩ,1/16W		R7687	NRSA63J-183X	MG RESISTOR,E,F,G 18kΩ,1/16W
	R7103	NRSA02J-0R0X	MG RESISTOR,A,B,C,D 0Ω,1/10W		R7688	NRSA63J-334X	MG RESISTOR,E,F,G 330kΩ,1/16W
	R7104	NRSA63J-0R0X	MG RESISTOR,A,B,C,D 0Ω,1/16W		R7689	NRSA63J-224X	MG RESISTOR,E,F,G 220kΩ,1/16W
	R7107	NRSA63J-271X	MG RESISTOR,A,B,C,D 270Ω,1/16W		R7690	NRSA63J-393X	MG RESISTOR,E,F,G 39kΩ,1/16W
	R7108	NRSA63J-182X	MG RESISTOR,A,B,C,D 1.8kΩ,1/16W		VR7102	NVP0016-223X	TRIM RESISTOR,BLACK LEVEL,A,B,C,D
	R7109	NRVA63D-393X	CMF RESISTOR,A,B,C,D 39kΩ,1/16W		VR7103	NVP0016-223X	TRIM RESISTOR,GAMMA,A,B,C,D
	R7110	NRVA63D-183X	CMF RESISTOR,A,B,C,D 18kΩ,1/16W		C1	NCB31EK-103X	CAPACITOR 0.01μF,25V
	R7111	NRSA63J-0R0X	MG RESISTOR,A,B,C,D 0Ω,1/16W		C7102	NDC31HJ-181X	CAPACITOR,A,B,C,D 180pF,50V
	R7114	NRSA63J-153X	MG RESISTOR,A,B,C,D 15kΩ,1/16W		C7103	NCF31CZ-104X	CAPACITOR,A,B,C,D 0.1μF,16V
	R7115	NRSA63J-153X	MG RESISTOR,A,B,C,D 15kΩ,1/16W		C7104	NCF31CZ-104X	CAPACITOR,A,B,C,D 0.1μF,16V
	R7118	NRSA63J-153X	MG RESISTOR,A,B,C,D 15kΩ,1/16W		C7105	NBE20JM-475X	T CAPACITOR,A,B,C,D 4.7μF,6.3V
	R7119	NRSA63J-333X	MG RESISTOR,A,B,C,D 33kΩ,1/16W		C7106	NCB21HK-122X	CAPACITOR,A,B,C,D 0.0012μF,50V
	R7604	NRSA63J-563X	MG RESISTOR 56kΩ,1/16W		C7107	NCB31EK-103X	CAPACITOR,A,B,C,D 0.01μF,25V
	R7610	NRSA63J-563X	MG RESISTOR 56kΩ,1/16W		C7108	NCF21CZ-105X	CAPACITOR,A,B,C,D 1μF,16V
	R7611	NRSA63J-153X	MG RESISTOR 15kΩ,1/16W		C7109	NCF31CZ-104X	CAPACITOR,A,B,C,D 0.1μF,16V
	R7612	NRSA63J-103X	MG RESISTOR 10kΩ,1/16W		C7110	NCF31CZ-104X	CAPACITOR,A,B,C,D 0.1μF,16V
	R7613	NRSA63J-104X	MG RESISTOR 100kΩ,1/16W		C7111	NCF31CZ-104X	CAPACITOR,A,B,C,D 0.1μF,16V
	R7616	NRSA63J-101X	MG RESISTOR 100Ω,1/16W		C7112	NCF31CZ-104X	CAPACITOR,A,B,C,D 0.1μF,16V
	R7631	NRSA63J-103X	MG RESISTOR 10kΩ,1/16W		C7113	NCB31HK-102X	CAPACITOR,A,B,C,D 0.001μF,50V
	R7632	NRSA63J-101X	MG RESISTOR,A,B,C,D 100Ω,1/16W		C7114	NCB31EK-103X	CAPACITOR,A,B,C,D 0.01μF,25V
	R7633	NRSA63J-101X	MG RESISTOR,A,B,C,D 100Ω,1/16W		C7115	NCB31CK-104X	CAPACITOR,A,B,C,D 0.1μF,16V
	R7634	NRSA63J-101X	MG RESISTOR,A,B,C,D 100Ω,1/16W		C7116	NCB31EK-103X	CAPACITOR,A,B,C,D 0.01μF,25V
	R7635	NRSA63J-220X	MG RESISTOR,E,F,G 22Ω,1/16W		C7117	NCB31EK-103X	CAPACITOR,A,B,C,D 0.01μF,25V
	R7636	NRSA63J-220X	MG RESISTOR,E,F,G 22Ω,1/16W		C7118	QEKJ1CM-107	E CAPACITOR,A,B,C,D 100μF,16V
	R7637	NRVA63D-123X	CMF RESISTOR,E,F,G 12kΩ,1/16W		C7119	NCF31CZ-104X	CAPACITOR,A,B,C,D 0.1μF,16V
	R7638	NRVA63D-123X	CMF RESISTOR,E,F,G 12kΩ,1/16W		C7120	NBE20JM-106X	T CAPACITOR,A,B,C,D 10μF,6.3V
	R7639	NRVA63D-123X	CMF RESISTOR,E,F,G 12kΩ,1/16W		C7121	NCF31CZ-104X	CAPACITOR,A,B,C,D 0.1μF,16V
	R7640	NRVA63D-123X	CMF RESISTOR,E,F,G 12kΩ,1/16W		C7122	NCF31CZ-104X	CAPACITOR,A,B,C,D 0.1μF,16V
	R7641	NRVA63D-123X	CMF RESISTOR,E,F,G 12kΩ,1/16W		C7123	NBE20JM-106X	T CAPACITOR,A,B,C,D 10μF,6.3V
	R7642	NRVA63D-123X	CMF RESISTOR,E,F,G 12kΩ,1/16W		C7601	NCB31CK-104X	CAPACITOR 0.1μF,16V
	R7643	NRSA63J-220X	MG RESISTOR,E,F,G 22Ω,1/16W		C7602	NBE40JM-476X	T CAPACITOR 47μF,6.3V
	R7645	NRSA63J-473X	MG RESISTOR,E,F,G 47kΩ,1/16W		C7603	NBE20JM-106X	T CAPACITOR 10μF,6.3V
	R7646	NRSA63J-103X	MG RESISTOR,E,F,G 10kΩ,1/16W		C7604	NCB31CK-104X	CAPACITOR 0.1μF,16V
	R7649	NRVA63D-222X	CMF RESISTOR 2.2kΩ,1/16W		C7605	NCB31CK-104X	CAPACITOR 0.1μF,16V
	R7650	NRVA63D-222X	CMF RESISTOR 2.2kΩ,1/16W		C7606	NBE21AM-106X	T CAPACITOR 10μF,10V
	R7651	NRVA63D-222X	CMF RESISTOR 2.2kΩ,1/16W		C7607	NCF31CZ-104X	CAPACITOR 0.1μF,16V
	R7652	NRVA63D-222X	CMF RESISTOR 2.2kΩ,1/16W		C7608	NBE21AM-106X	T CAPACITOR 10μF,10V
	R7653	NRVA63D-222X	CMF RESISTOR 2.2kΩ,1/16W		C7609	NBE21AM-106X	T CAPACITOR 10μF,10V
	R7654	NRVA63D-222X	CMF RESISTOR 2.2kΩ,1/16W		C7610	NBP41CM-226X	T CAPACITOR 22μF,16V
	R7657	NRSA63J-154X	MG RESISTOR 150kΩ,1/16W		C7614	NCF31CZ-104X	CAPACITOR 0.1μF,16V
	R7659	NRSA63J-335X	MG RESISTOR 3.3MΩ,1/16W		C7615	NBE20JM-106X	T CAPACITOR 10μF,6.3V
	R7660	NRSA63J-223X	MG RESISTOR 22kΩ,1/16W		C7618	NCB31HK-822X	CAPACITOR 0.0082μF,50V
	R7661	NRSA02J-222X	MG RESISTOR 2.2kΩ,1/10W		C7619	NBE20JM-225X	T CAPACITOR 2.2μF,6.3V
	R7663	NRSA63J-101X	MG RESISTOR 100Ω,1/16W		C7620	NBE20JM-106X	T CAPACITOR 10μF,6.3V
	R7664	NRSA63J-223X	MG RESISTOR,A,B,C,D 22kΩ,1/16W		C7621	NDC31HJ-151X	CAPACITOR 150pF,50V
		NRSA63J-682X	MG RESISTOR,E,F,G 6.8kΩ,1/16W		C7623	NDC31HJ-471X	CAPACITOR 470pF,50V
	R7665	NRSA63J-223X	MG RESISTOR 22kΩ,1/16W		C7625	NCB21AK-105X	CAPACITOR 1μF,10V
	R7666	NRSA63J-223X	MG RESISTOR 22kΩ,1/16W		C7627	NCB31CK-104X	CAPACITOR 0.1μF,16V
	R7667	NRSA63J-333X	MG RESISTOR 33kΩ,1/16W		C7628	NCB11CK-225X	CAPACITOR 2.2μF,16V
	R7668	NRSA02J-392X	MG RESISTOR 3.9kΩ,1/10W		C7629	NBE20JM-106X	T CAPACITOR 10μF,6.3V

#	REF No.	PART No.	PART NAME, DESCRIPTION
C7630		NCB31CK-104X	CAPACITOR 0.1μF,16V
C7631		NCF31AZ-105X	CAPACITOR 1μF,10V
C7632		NCF31AZ-105X	CAPACITOR 1μF,10V
C7636		NCB31HK-102X	CAPACITOR 0.001μF,50V
C7637		NCB31HK-102X	CAPACITOR 0.001μF,50V
C7638		NCF31CZ-104X	CAPACITOR 0.1μF,16V
C7639		NCF31CZ-104X	CAPACITOR,E,F,G 0.1μF,16V
C7640		NBE21AM-106X	T CAPACITOR 10μF,10V
C7641		NBE21AM-106X	T CAPACITOR 10μF,10V
C7642		NBE21AM-106X	T CAPACITOR 10μF,10V
C7646		NBE21AM-335X	T CAPACITOR 3.3μF,10V
C7647		NBP21DM-335X	T CAPACITOR 3.3μF,20V
C7648		NCF31CZ-104X	CAPACITOR,E,F,G 0.1μF,16V
C7649		NCF31CZ-104X	CAPACITOR,E,F,G 0.1μF,16V
C7650		NBP41EM-475X	T CAPACITOR 4.7μF,25V
C7654		NBP41EM-475X	T CAPACITOR 4.7μF,25V
C7655		NCB31CK-104X	CAPACITOR,E,F,G 0.1μF,16V
C7656		NCF31AZ-105X	CAPACITOR 1μF,10V
C7660		NCB31EK-103X	CAPACITOR,E,F,G 0.01μF,25V
C7661		NCB31EK-103X	CAPACITOR,E,F,G 0.01μF,25V
C7665		NCB21AK-225X	CAPACITOR,E,F,G 2.2μF,10V
C7666		NBE21AM-106X	T CAPACITOR,E,F,G 10μF,10V
C7667		NDC31HJ-180X	CAPACITOR 18pF,50V
L7101		NQL315K-100X	COIL,A,B,C,D 10μH
L7102		NQL315K-100X	COIL,A,B,C,D 10μH
L7103		NQL315K-100X	COIL,A,B,C,D 10μH
L7603		NQL314K-220X	COIL 22μH
L7604		NQL315K-100X	COIL 10μH
L7605		NQL315K-100X	COIL 10μH
L7608		NQL315K-100X	COIL,E,F,G 10μH
L7610		NQL315K-100X	COIL 10μH
L7611		NQL315K-100X	COIL,A,B,C,D 10μH
SW1		NSW0092-001X	SLIDE SWITCH
SW2		NSW0008-001X	TACT SWITCH
SW3		NSW0008-001X	TACT SWITCH
SW4		NSW0008-001X	TACT SWITCH
SW5		NSW0008-001X	TACT SWITCH
SW6		NSW0099-001X	SLIDE SWITCH
SW7601		NSW0105-001X	DETECT SWITCH
WR1		YU40017-050-3	THIN WIRE,A,B,C,D
WR2		YU40017-050-4	THIN WIRE,A,B,C,D
CN7601		QGF0506F2-32X	FPC CONNECTOR
CN7602		QGF0503C1-20X	FFC/FPC CONNECTOR,A,B,C,D
CN7603		QGF0503C1-20X	FFC/FPC CONNECTOR,E,F,G
CN7604		QGF0305F1-33X	FPC CONNECTOR
CN7605		QGA1201F2-02X	CONNECTOR
OT1		LY30029-051A	SPACER(A)
OT2		PU59915-105	#500SPACER0.01,A,B,C,D
OT3		QWTE104-010	SHRINK TUBE,X2,A,B,C,D

LCD BL BOARD ASSEMBLY <03>

PW2	YB10280B2-01	LCD BL BOARD ASSY,E,F,G
	YB10280C2-01	LCD BL BOARD ASSY,A,B,C,D
IC751	MIP805	IC,E,F,G
Q7501	2SC3647/ST/-X	POW TRANSISTOR
Q7502	2SC3647/ST/-X	POW TRANSISTOR

#	REF No.	PART No.	PART NAME, DESCRIPTION
Q7503		DTA144EE	TRANSISTOR
		or RN2104	TRANSISTOR
		or UN9113J	TRANSISTOR
Q7504		2SC4617/QR/-X	TRANSISTOR
Q7505		2SC4617/QR/-X	TRANSISTOR
Q7506		2SC4617/QR/-X	TRANSISTOR
D751		1SS376	DIODE,E,F,G
R751		NRSA63J-104X	MG RESISTOR,E,F,G 100kΩ,1/16W
R7501		NRSA63J-102X	MG RESISTOR 1kΩ,1/16W
R7502		NRSA63J-102X	MG RESISTOR 1kΩ,1/16W
R7503		NRSA63J-102X	MG RESISTOR 1kΩ,1/16W
R7504		NRSA63J-563X	MG RESISTOR 56kΩ,1/16W
R7505		NRSA63J-223X	MG RESISTOR 22kΩ,1/16W
R7506		NRSA63J-473X	MG RESISTOR 47kΩ,1/16W
R7507		NRSA63J-473X	MG RESISTOR 47kΩ,1/16W
R7508		NRSA63J-223X	MG RESISTOR 22kΩ,1/16W
R7509		NRSA63J-103X	MG RESISTOR 10kΩ,1/16W
R7510		NRSA63J-563X	MG RESISTOR 56kΩ,1/16W
C751		NBE20JM-106X	T CAPACITOR,E,F,G 10μF,6.3V
C752		NBE20JM-106X	T CAPACITOR,E,F,G 10μF,6.3V
C753		NCB31HK-222X	CAPACITOR,E,F,G 0.0022μF,50V
C754		NCB31HK-222X	CAPACITOR,E,F,G 0.0022μF,50V
C7501		NCZ1016-150X	CAPACITOR,A,B,C,D 15pF,2kV
		NCZ1016-180X	CAPACITOR,E,F,G 18pF,2kV
C7502		NCZ1016-150X	CAPACITOR,A,B,C,D 15pF,2kV
		NCZ1016-180X	CAPACITOR,E,F,G 18pF,2kV
C7503		NFV41HJ-273X	MPPS CAPACITOR 0.027μF,50V
C7504		NCB31EK-103X	CAPACITOR 0.01μF,25V
C7505		NBE40JM-226X	T CAPACITOR 22μF,6.3V
C7506		NCB31EK-103X	CAPACITOR 0.01μF,25V
C7507		NDC31HJ-151X	CAPACITOR 150pF,50V
C7508		NCB11CK-105X	CAPACITOR 1μF,16V
C7509		NCB31CK-104X	CAPACITOR 0.1μF,16V
C7510		NCB31HK-562X	CAPACITOR 0.0056μF,50V
L751		NQLZ011-681X	COIL,E,F,G 680μH
L752		NQL315K-100X	COIL,E,F,G 10μH
L7501		NQLZ010-680X	COIL 68μH
L7502		NQLZ010-220X	COIL 22μH
T7501		NQS0037-001X	SW TRANSF
CN7501		QGF0506F2-32X	FPC CONNECTOR
CN7502		QGF0505F1-24X	FPC CONNECTOR
CN7503		QGA5002F1-02X	CONNECTOR
CN7504		QGF0505F2-06X	FPC CONNECTOR,E,F,G
△ F751		NMFZ006-R20X-K	FUSE,E,F,G T0.2A
OT1		LY41726-001A	PLATE(EARTH)

CCD BOARD ASSEMBLY <04>

PW	YB20876A-01	CCD BOARD ASSY
Q5001	2SC3931/CD/-X	TRANSISTOR
R5001	NRSA02J-472X	MG RESISTOR 4.7kΩ,1/10W
R5002	NRSA02J-0R0X	MG RESISTOR 0Ω,1/10W
R5003	NRSA02J-104X	MG RESISTOR 100kΩ,1/10W
R5004	NRS181J-0R0X	MG RESISTOR 0Ω,1/8W
C5001	NCB21CK-104X	CAPACITOR 0.1μF,16V
C5002	NBP41DM-106X	T CAPACITOR 10μF,20V
C5003	NCB21CK-104X	CAPACITOR 0.1μF,16V
C5004	NBE21AM-106X	T CAPACITOR 10μF,10V

#	△ REF No.	PART No.	PART NAME, DESCRIPTION
	C5005	NCB11EK-104X	CAPACITOR 0.1μF,25V
	C5006	NCB21CK-104X	CAPACITOR 0.1μF,16V
	C5007	NCB21HK-222X	CAPACITOR 0.0022μF,50V
	C5011	NCB21CK-105X	CAPACITOR 1μF,16V
	L5001	NQL315K-100X	COIL 10μH

#	△ REF No.	PART No.	PART NAME, DESCRIPTION
	L503	NRSA63J-0R0X	MG RESISTOR 0Ω,1/16W
	J501	QNS0078-001	3.5 JACK
	J502	NNZ0028-001	D CONNECTOR
	J503	PEMC1032	MINI DIN CONNECTOR
	CN501	QGF0507F1-22X	FPC CONNECTOR

JUNCTION BOARD ASSEMBLY <05>

PW2	YB10278A2-02	JUNCTION BOARD ASSY
SW571	NSW0095-001X	DETECT SWITCH
CN571	QGF0506F3-33X	FFC/FPC CONNECTOR
CN572	QGF0507F1-15X	FPC CONNECTOR
CN573	QGF0505F2-11X	FPC CONNECTOR
CN574	QGF0505F2-06X	FPC CONNECTOR

REAR BOARD ASSEMBLY <07>

PW3	YB10278C3-02	REAR BOARD ASSY
D551	MA8068	ZENER DIODE
D552	MA8068	ZENER DIODE
D553	MA8068	ZENER DIODE
D554	MA8068	ZENER DIODE
D555	MA8068	ZENER DIODE
D556	MA8068	ZENER DIODE
D557	MA8068	ZENER DIODE
R551	NRSA63J-331X	MG RESISTOR 330Ω,1/16W
R552	NRSA63J-331X	MG RESISTOR 330Ω,1/16W
R553	NQR0129-002X	FERRITE BEAD
R554	NRSA63J-331X	MG RESISTOR 330Ω,1/16W
R555	NRSA63J-221X	MG RESISTOR 220Ω,1/16W
R556	NRSA63J-0R0X	MG RESISTOR 0Ω,1/16W
J551	LY31577-001B	BATT.TERM.UNIT
J552	QNS0152-001	2.5 JACK
J553	PEMC1203	MINI JACK
△ J554	QAB0028-001	LI BATTERY
CN551	QGA1201C1-11	CONNECTOR

JACK BOARD ASSEMBLY <06>

PW1	YB10278A1-02	JACK BOARD ASSY
IC501	BA10358F-XE	IC
IC502	PIC-26043T2	IR DETECT UNIT
Q501	DTC143XE	TRANSISTOR
Q502	RPM-22PB	PHOTO TRANSISTOR
D501	TLSU1002/LM/-X	LE DIODE
D502	MA8068	ZENER DIODE
R501	NRSA63J-103X	MG RESISTOR 10kΩ,1/16W
R502	NRSA63J-684X	MG RESISTOR 680kΩ,1/16W
R503	NRSA63J-182X	MG RESISTOR 1.8kΩ,1/16W
R504	NRSA63J-222X	MG RESISTOR 2.2kΩ,1/16W
R505	NRSA63J-103X	MG RESISTOR 10kΩ,1/16W
R506	NRSA63J-824X	MG RESISTOR 820kΩ,1/16W
R507	NRSA63J-104X	MG RESISTOR 100kΩ,1/16W
R508	NRSA63J-683X	MG RESISTOR 68kΩ,1/16W
R509	NRSA63J-822X	MG RESISTOR 8.2kΩ,1/16W
R510	NRSA63J-103X	MG RESISTOR 10kΩ,1/16W
R511	NRSA63J-302X	MG RESISTOR 3kΩ,1/16W
R512	NRSA63J-391X	MG RESISTOR 390Ω,1/16W
R513	NRSA63J-470X	MG RESISTOR 47Ω,1/16W
R515	NRSA63J-101X	MG RESISTOR 100Ω,1/16W
R516	NRSA63J-101X	MG RESISTOR 100Ω,1/16W
R517	NRSA63J-0R0X	MG RESISTOR 0Ω,1/16W
R518	NRSA63J-0R0X	MG RESISTOR 0Ω,1/16W
R519	NRSA63J-0R0X	MG RESISTOR 0Ω,1/16W
R520	NRSA63J-0R0X	MG RESISTOR 0Ω,1/16W
R521	NRSA63J-0R0X	MG RESISTOR 0Ω,1/16W
C501	NBE21AM-335X	T CAPACITOR 3.3μF,10V
C502	NCF31CZ-104X	CAPACITOR 0.1μF,16V
C503	NCB31EK-153X	CAPACITOR 0.015μF,25V
C504	NCB31EK-153X	CAPACITOR 0.015μF,25V
C506	NBE21AM-106X	T CAPACITOR 10μF,10V
C508	NBE20JM-226X	T CAPACITOR 22μF,6.3V
C511	NCB31HK-103X	CAPACITOR 0.01μF,50V
C512	NCB31HK-103X	CAPACITOR 0.01μF,50V
L501	NRSA63J-0R0X	MG RESISTOR 0Ω,1/16W
L502	NRSA63J-0R0X	MG RESISTOR 0Ω,1/16W

B/W VF BOARD ASSEMBLY <08>,A,B,C,D

PW3	YB10280A3-01	B/W VF BOARD ASSY
Q7201	2SD2216J/QR/-X	TRANSISTOR
D7201	MA111	DIODE
R7201	NRVA63D-153X	CMF RESISTOR 15kΩ,1/16W
R7202	NRVA63D-103X	CMF RESISTOR 10kΩ,1/16W
R7203	NRVA63D-680X	CMF RESISTOR 68Ω,1/16W
R7204	NRSA63J-103X	MG RESISTOR 10kΩ,1/16W
C7201	NCB31EK-103X	CAPACITOR 0.01μF,25V
CN7201	QGF0503C1-20X	FFC/FPC CONNECTOR
CN7202	QGF0503C1-20X	FFC/FPC CONNECTOR
CN7203	QGA1201C2-02X	CONNECTOR

DSC BOARD ASSEMBLY <10>

PW	YB20894A	DSC BOARD ASSY
IC8001	JCY0076B	IC
IC8002	M32000D4AFP	IC(MICRO C ROM)
IC8003	MBV400TC90PTA03	IC(MICRO C ROM)
IC8004	S-814A31AMC-W	IC
IC8007	TC7WHU04FU	IC
	or SN74AHC2GU04T	IC

#	REF No.	PART No.	PART NAME, DESCRIPTION	
IC8008		TC7W08FU	IC(DIGITAL)	
IC8009		TC7W08FU	IC(DIGITAL)	
IC8051		TC7S32FU	IC(DIGITAL)	
IC8052		TC7W53FU	IC(DIGITAL)	
IC8053		TC7W08FU	IC(DIGITAL)	
Q8001		2SB1121/TU/-X	TRANSISTOR	
Q8002		2SC4081/QR/-X	TRANSISTOR	
Q8051		2SA1774/RS/-X	TRANSISTOR	
Q8052		DTC144EE	TRANSISTOR	
R8001		NRSA63J-101X	MG RESISTOR	100Ω, 1/16W
R8002		NRSA63J-101X	MG RESISTOR	100Ω, 1/16W
R8003		NRSA63J-101X	MG RESISTOR	100Ω, 1/16W
R8004		NRSA63J-104X	MG RESISTOR	100kΩ, 1/16W
R8005		NRSA63J-104X	MG RESISTOR	100kΩ, 1/16W
R8006		NRSA63J-102X	MG RESISTOR	1kΩ, 1/16W
R8007		NRSA63J-0R0X	MG RESISTOR	0Ω, 1/16W
R8013		NRSA63J-821X	MG RESISTOR	820Ω, 1/16W
R8014		NRSA63J-560X	MG RESISTOR	56Ω, 1/16W
R8015		NRSA63J-560X	MG RESISTOR	56Ω, 1/16W
R8016		NRSA63J-560X	MG RESISTOR	56Ω, 1/16W
R8017		NRSA63J-560X	MG RESISTOR	56Ω, 1/16W
R8018		NRSA63J-560X	MG RESISTOR	56Ω, 1/16W
R8019		NRSA63J-560X	MG RESISTOR	56Ω, 1/16W
R8020		NRSA63J-560X	MG RESISTOR	56Ω, 1/16W
R8021		NRSA63J-560X	MG RESISTOR	56Ω, 1/16W
R8022		NRSA63J-560X	MG RESISTOR	56Ω, 1/16W
R8023		NRSA63J-560X	MG RESISTOR	56Ω, 1/16W
R8024		NRSA63J-560X	MG RESISTOR	56Ω, 1/16W
R8025		NRSA63J-560X	MG RESISTOR	56Ω, 1/16W
R8026		NRSA63J-0R0X	MG RESISTOR	0Ω, 1/16W
R8027		NRSA02J-105X	MG RESISTOR	1MΩ, 1/10W
R8030		NRSA63J-0R0X	MG RESISTOR	0Ω, 1/16W
R8031		NRSA63J-223X	MG RESISTOR	22kΩ, 1/16W
R8032		NRSA63J-222X	MG RESISTOR	2.2kΩ, 1/16W
R8033		NRSA63J-822X	MG RESISTOR	8.2kΩ, 1/16W
R8034		NRSA63J-472X	MG RESISTOR	4.7kΩ, 1/16W
R8035		NRSA63J-331X	MG RESISTOR	330Ω, 1/16W
R8051		NRSA63J-473X	MG RESISTOR	47kΩ, 1/16W
R8052		NRSA63J-472X	MG RESISTOR	4.7kΩ, 1/16W
R8055		NRSA63J-103X	MG RESISTOR	10kΩ, 1/16W
R8056		NRSA63J-0R0X	MG RESISTOR	0Ω, 1/16W
R8059		NRSA63J-473X	MG RESISTOR	47kΩ, 1/16W
R8062		NRSA63J-0R0X	MG RESISTOR	0Ω, 1/16W
C8001		NCB31CK-104X	CAPACITOR	0.1μF, 16V
C8002		NBE20JM-106X	T CAPACITOR	10μF, 6.3V
C8003		NCB31CK-104X	CAPACITOR	0.1μF, 16V
C8005		NCB31CK-104X	CAPACITOR	0.1μF, 16V
C8006		NCB31CK-104X	CAPACITOR	0.1μF, 16V
C8007		NCB31CK-104X	CAPACITOR	0.1μF, 16V
C8008		NCB31CK-104X	CAPACITOR	0.1μF, 16V
C8009		NCB31CK-104X	CAPACITOR	0.1μF, 16V
C8010		NCB31CK-104X	CAPACITOR	0.1μF, 16V
C8011		NCB31CK-104X	CAPACITOR	0.1μF, 16V
C8012		NCB31CK-104X	CAPACITOR	0.1μF, 16V
C8013		NCB31CK-104X	CAPACITOR	0.1μF, 16V
C8014		NBE50JM-107X	T CAPACITOR	100μF, 6.3V
C8015		NCB31CK-104X	CAPACITOR	0.1μF, 16V
C8016		NCB31CK-104X	CAPACITOR	0.1μF, 16V
C8017		NCB31HK-102X	CAPACITOR	0.001μF, 50V
C8018		NCB31CK-104X	CAPACITOR	0.1μF, 16V
C8019		NCB31CK-104X	CAPACITOR	0.1μF, 16V

#	REF No.	PART No.	PART NAME, DESCRIPTION	
C8020		NCB31CK-104X	CAPACITOR	0.1μF, 16V
C8021		NCB31CK-104X	CAPACITOR	0.1μF, 16V
C8022		NCB31CK-104X	CAPACITOR	0.1μF, 16V
C8023		NCB31CK-104X	CAPACITOR	0.1μF, 16V
C8024		NCB31CK-104X	CAPACITOR	0.1μF, 16V
C8025		NBE50JM-107X	T CAPACITOR	100μF, 6.3V
C8026		NCB31CK-104X	CAPACITOR	0.1μF, 16V
C8030		NDC31HJ-150X	CAPACITOR	15pF, 50V
C8039		NCB31CK-104X	CAPACITOR	0.1μF, 16V
C8040		NDC31HJ-270X	CAPACITOR	27pF, 50V
C8041		NBE20JM-106X	T CAPACITOR	10μF, 6.3V
C8042		NBE20JM-106X	T CAPACITOR	10μF, 6.3V
C8043		NBE20JM-106X	T CAPACITOR	10μF, 6.3V
C8044		NBE20JM-106X	T CAPACITOR	10μF, 6.3V
C8045		NBE40JM-106X	T CAPACITOR	10μF, 6.3V
C8046		NBE41AM-106X	T CAPACITOR	10μF, 10V
C8047		NCB31CK-104X	CAPACITOR	0.1μF, 16V
C8048		NCB31EK-103X	CAPACITOR	0.01μF, 25V
L8001		NQL024J-100X	COIL	10μH
L8002		NQL034K-150X	COIL	15μH
L8003		NQL024J-100X	COIL	10μH
X8001		NAX0354-001X	RESONATOR	
CN801		QGB0509L3-30X	CONNECTOR	
CN802		QGF0507F1-10X	FPC CONNECTOR	

MMC BOARD ASSEMBLY <11>

	PW	YB20893A	MMC BOARD ASSY	
R8503		NRSA63J-103X	MG RESISTOR	10kΩ, 1/16W
R8504		NRSA63J-0R0X	MG RESISTOR	0Ω, 1/16W
R8505		NRSA63J-0R0X	MG RESISTOR	0Ω, 1/16W
R8506		NRSA63J-0R0X	MG RESISTOR	0Ω, 1/16W
R8507		NRSA63J-0R0X	MG RESISTOR	0Ω, 1/16W
R8508		NRSA63J-0R0X	MG RESISTOR	0Ω, 1/16W
R8509		NRSA63J-0R0X	MG RESISTOR	0Ω, 1/16W
C8501		NBE20JM-106X	T CAPACITOR	10μF, 6.3V
L8501		NRSA63J-0R0X	MG RESISTOR	0Ω, 1/16W
CN851		NNZ0035-001X	MMC CARD CONNECTOR	
CN852		QGF0501F1-10X	FPC CONNECTOR	